

SRD991 Top Mounted version of Intelligent Positioner with HART, PROFIBUS-PA, FOUNDATION Fieldbus H1 or Without Communication



This version is designed for direct mounting on top of small actuators without yoke - solution for actuators up to 50 mm stroke. Instead of the rotary potentiometer, a linear pot is used that feeds back the actual position of the actuator.

The intelligent positioner SRD991 is designed to operate pneumatic valve actuators and can be operated from control systems (e.g. the Foxboro I/A Series System), controllers or PC-based configuration- and operation tools such as the FDT/DTMs VALcare™. The positioner is available with different communication protocols. The multi-lingual full text graphical-LCD, in conjunction with the 3 push buttons, allows a comfortable and easy local configuration and operation. For installations in contact with explosive atmospheres, certificates are available.

MAIN FEATURES

- All features are same as SRD991 standard device: same technical data, communication protocols, LCD indicator, diagnostics, accessories etc except:
- Stroke up to 50 mm (2 in), with linear potentiometer for feedback, instead of rotary potentiometer. No indicator disk, no limit switches are possible. Protection class IP54 when mounted on a valve.
- Electrical certification according to ATEX and EAC (II 2 G Ex ia T4/T6 Gb) and FM
- Easy and fast mounting onto angle seat valves, small diaphragm valves.
- For full technical data please refer to PSS of SRD991 standard device PSS EVE0105.

- Rugged and compact design and operation
- With communication: HART, FOUNDATION Fieldbus H1, PROFIBUS-PA

Additional equipment:

- Binary inputs and outputs
- Position feedback 4-20 mA

Accessories:

- Gauge for supply air and outputs
- Pressure sensors for outputs

FUNCTIONAL SPECIFICATIONS

Travel range

Stroke range up to 50 mm (2 in)

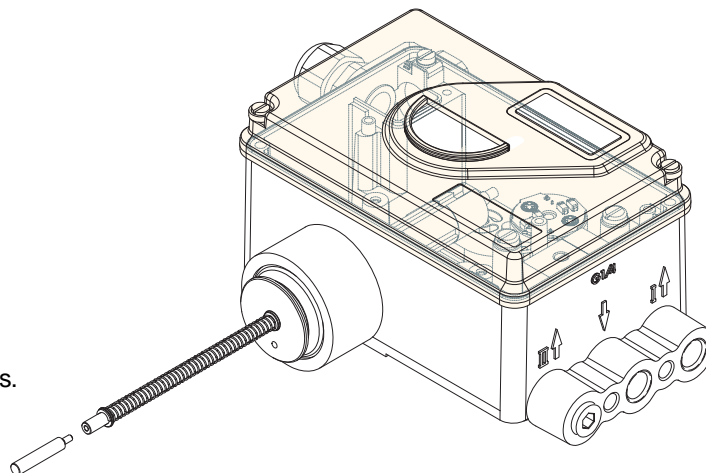
ORDERING INFORMATION

The Model Code of this device is

SRD991- -W

For mounting to various brands of actuators, adapters are available and can be ordered under the code EBZG-TMxx.

Please consult us for the latest list of available adapter parts.



DIFFERING

FUNCTIONAL SPECIFICATIONS

Sensing of the position is made with a conductive plastic linear potentiometer.

Attachment to stroke actuators

Direct mounting to stroke actuator.

The built-in potentiometer is designed for maximum 50 mm stroke.

Condition of use of the built-in linear potentiometer

Linear potentiometer is designed to withstand more than 10 Million strokes of 50 mm at a maximum cycling speed of 1 Hz (open / close every second).

Electrical classification

see Certificates of Conformity EX EVE0105 A

Same as SRD991

Specific addendum of the electrical certification for this design
see addendum 7

Type of protection "Intrinsically Safe" ATEX

Type AI 638 II 2 G Ex ia IIC T4 Gb
 II 2 G Ex ia IIC T6 Gb
 II 3 G/D Ex ic T4 Gc/Dc
 II 3 G/D Ex ic T6 Gc/Dc

Explosion protection Zone 2 ATEX

Same as SRD991

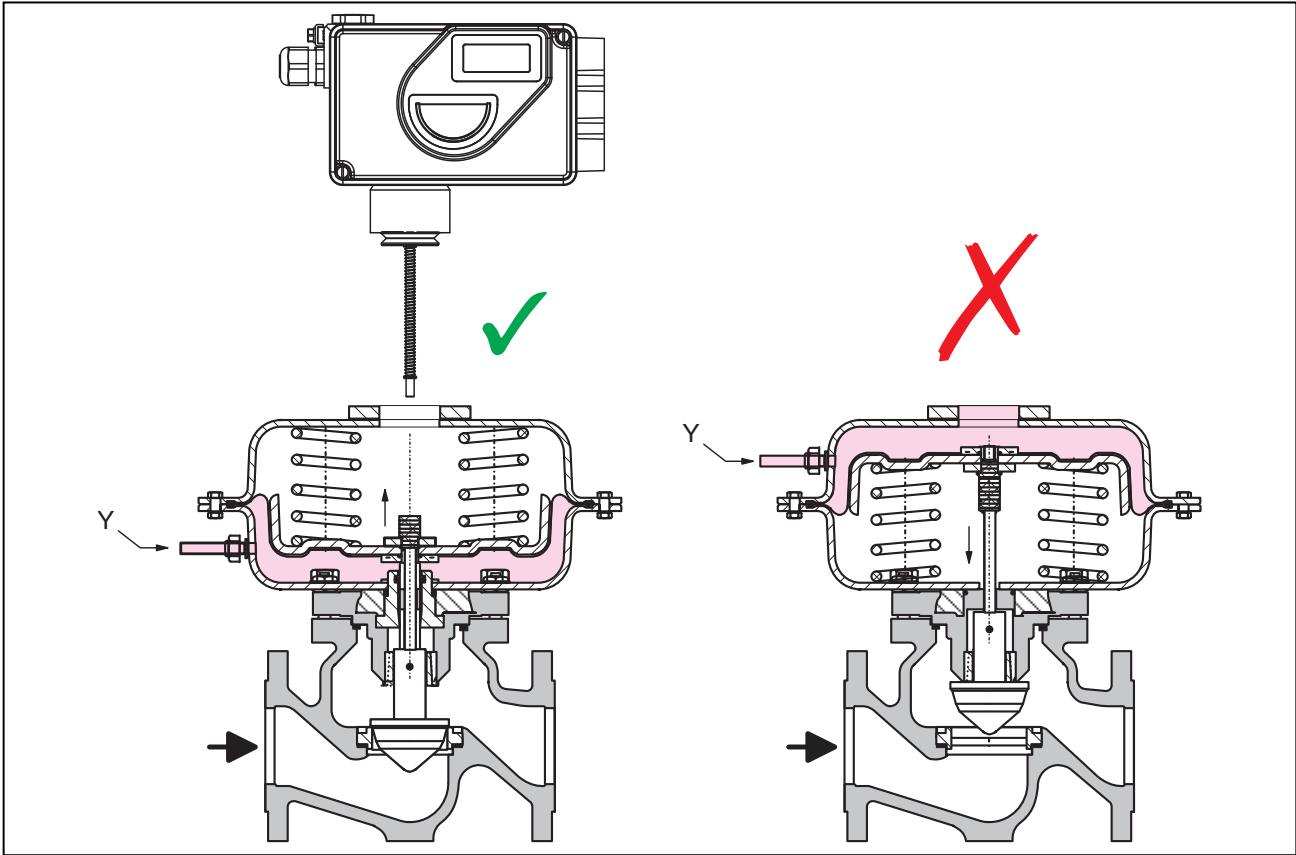
Explosion protection Zone 20 ATEX

Same as SRD991

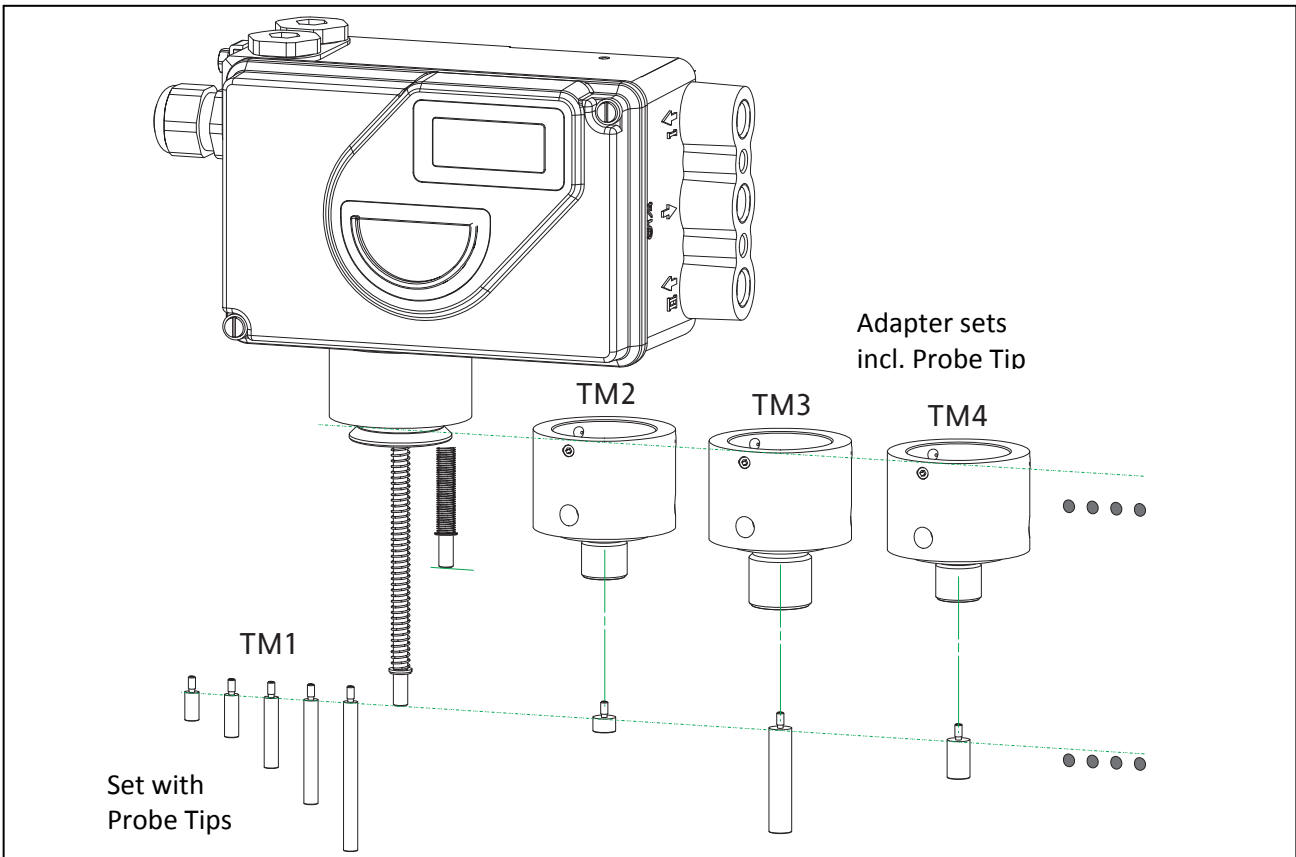
FM Type of protection

Same as SRD991

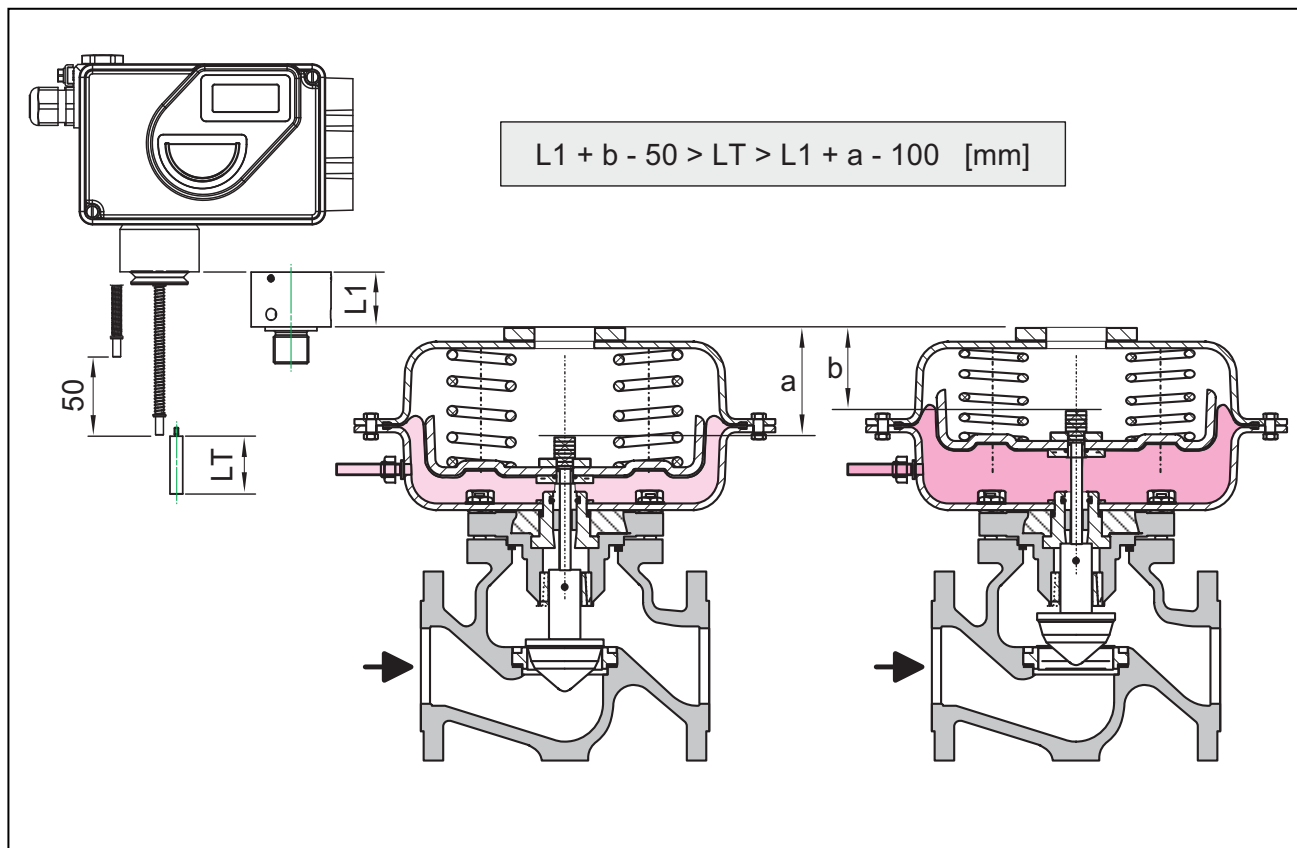
USABILITY The upper chamber must be depressurized.



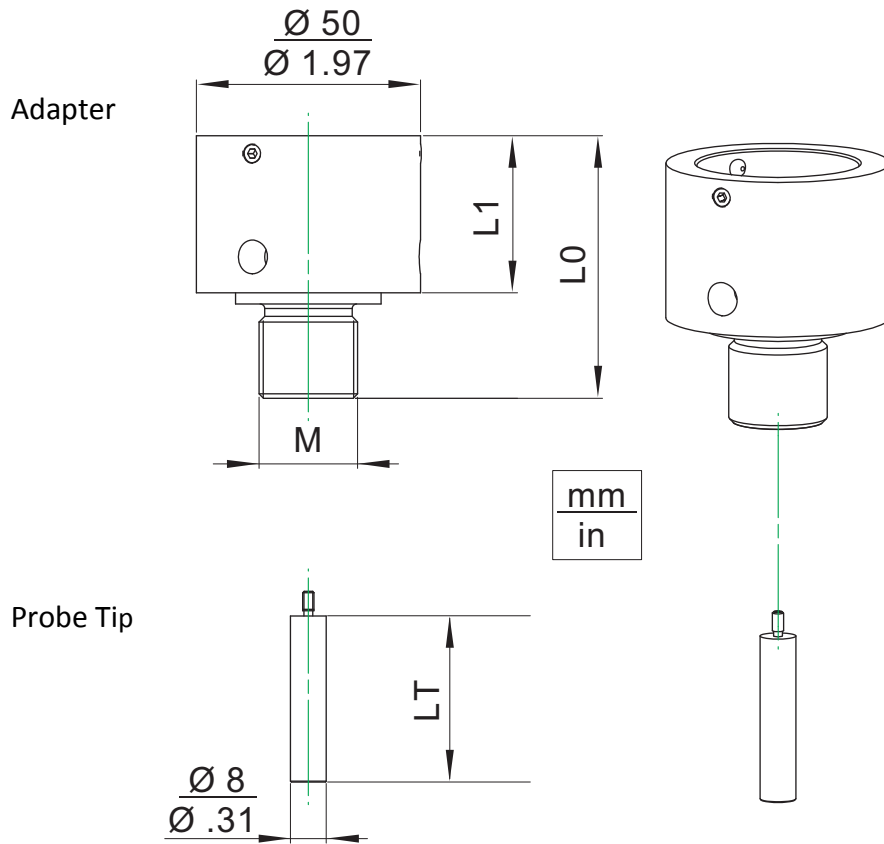
MOUNTING COMBINATIONS



SELECTING ADAPTERS AND PROBE TIPS

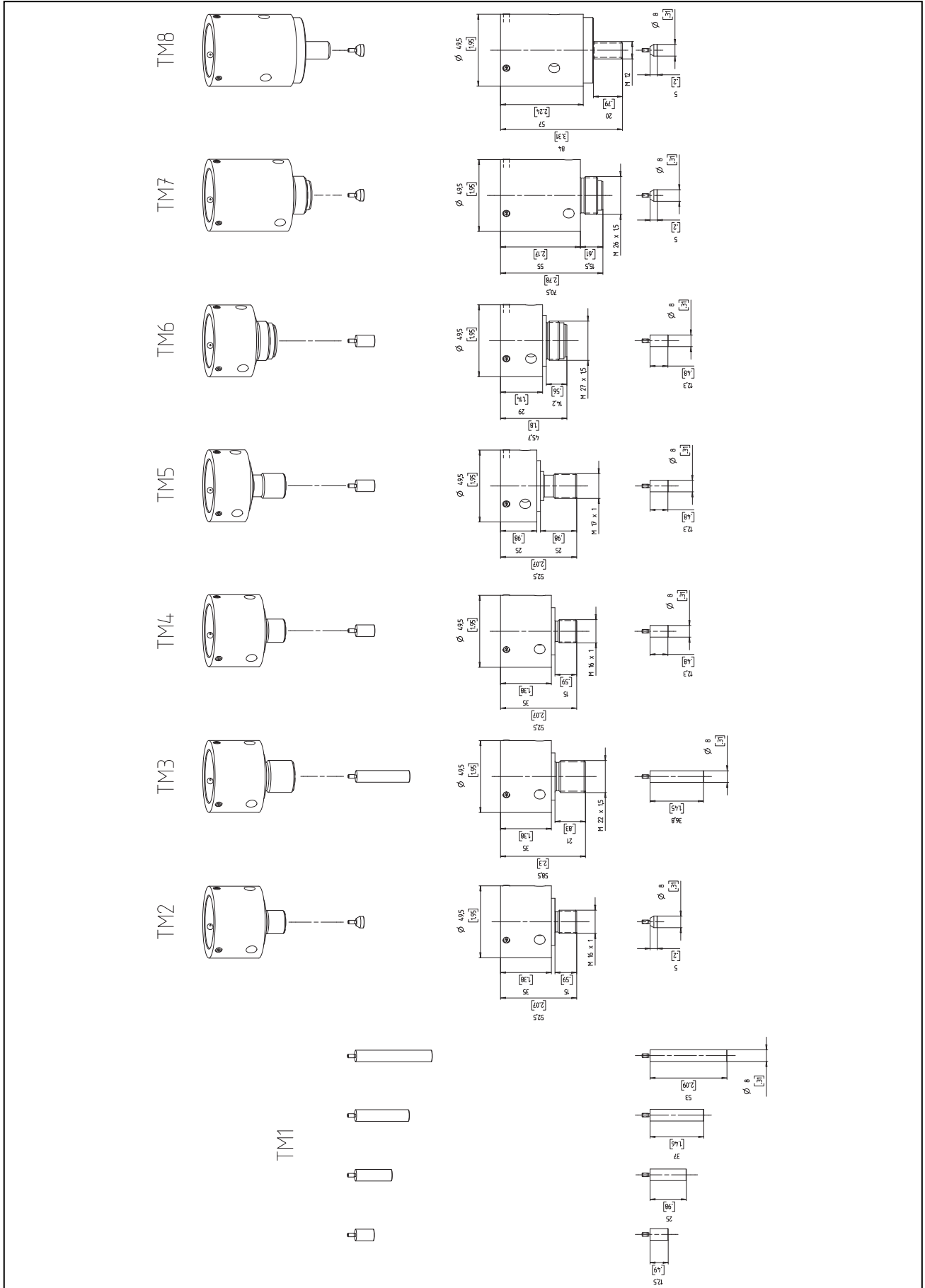


MAIN DIMENSIONS AND APPLICATIONS Adapters and Probe Tips



Assy Name EBZG-... designed for ...	Adapter			Probe Tips
	Thread M	L0 mm / inch	L1 mm / inch	LT mm / inch
TM1 GFischer	(TM1 includes a set of Probe Tips but no Adapter)			12.5 / 0.49 25 / 0.98 37 / 1.46 53 / 2.09
TM2 GEMÜ-1	M16x1	52,5 / 2.07	35 / 1.38	5 / 0.2
TM3 GEMÜ-2	M22x1.5	58,5 / 2.3	35 / 1.38	37 / 1.46
TM4 FIP	M16x1	52,5 / 2.07	35 / 1.38	12.5 / 0.49
TM5 ASCO	M17x1	52,5 / 2.07	25 / 0.98	12.5 / 0.49
TM6 OMAL	M27x1.5	45,7 / 1.8	29 / 1.14	12.5 / 0.49
TM7 Bürkert	M26x1.5	70,5 / 2.77	55 / 2.16	5 / 0.2
TM8 Asahi	M12	84 / 3.3	64,5 / 2.54	5 / 0.2

DIMENSIONS Adapters and Probe Tips



DIMENSIONS SRD991 for TOP MOUNTING

