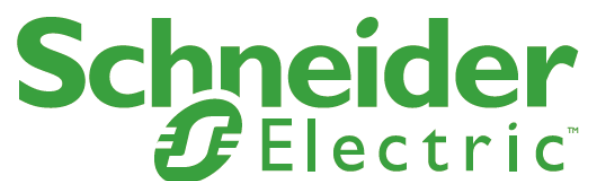


Control drawings for installations in  
hazardous locations that conform to  
US and Canadian standards



Last update: 01 April 2019

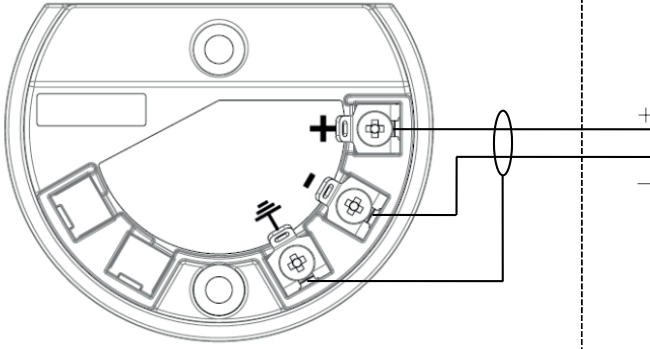
**HAZARDOUS (CLASSIFIED) LOCATION**

Class I/II/III, Div 1, GPS ABCDEFG  
 Class I, Zone 0, IIC  
 Zone 20, IIIC

**NON HAZARDOUS  
 (UNCLASSIFIED) LOCATION**

Approved Associated Apparatus  
 with Entity Parameters (see Note 4)

Entity Parameters:  
 $U_i (V_{max}) = 30 \text{ V}$   
 $I_i (I_{max}) = 130 \text{ mA}$   
 $P_i (P_{max}) = 1.0 \text{ W}$   
 $C_i = 10 \text{ nF}$   
 $L_i = 0 \text{ }\mu\text{H}$



**CONNECTIONS FOR ENTITY CONCEPT  
 OF 2 WIRES / 4...20 mA HART VERSION**

**Notes:**

- 1) Installation shall be in accordance with ANSI / ISA-RP 12.06.01, "Installation of Intrinsically Safe Systems for Hazardous (classified) locations" and articles 500 to 510 of the National Electric Code ANSI / NFPA 70 for the U.S. and section 18 of the Canadian electrical code CSA 22.1 part 1 for Canada.
- 2) No revision to this drawing without prior agency approval.
- 3) If ambient temperature > 65°C, use heat-resistant cable certified for continuous operation above +80°C
- 4) To determine proper matching of I.S. equipment and the maximum cable length use the following entity parameter matching formulas:  
 $U_o (V_{oc}) \leq U_i (V_{max})$   
 $I_o (I_{oc}) \leq I_i (I_{max})$   
 $P_o \leq P_i (P_{max})$   
 $C_o (C_a) \geq \sum C_i + C_{cable}$   
 $L_o (L_a) \geq \sum L_i + L_{cable}$
- 5) Control equipment connected to the associated apparatus must not use or generate more than 250 Vrms or Vdc.
- 6) Connect the earth terminal (internal or external) with a min. cable cross-section 4mm<sup>2</sup>. The resistance between intrinsically safe ground and earth ground must be less than 1.0 Ω.
- 7) For class II, III, use a dust tight seal at the conduit entry. For zones 21 and 22, use a cable gland rated IP 6X at the housing cable entry.
- 8) Avoid electrostatic charge of the plastic sun cover, the hygienic antenna, the drop antenna, the flange plate protection, the extension protection and the slanted flange (e.g. do not install in a location where the electrostatic charge can increase, do not rub with dry cloth).
- 9) Temperature Classes as a function of ambient temperature and process temperature (or process connection temperature) - see tables

**FOR FURTHER LIMITATIONS  
 SEE INSTRUCTION MANUAL**

LR54 – LR64			
Temperature class	Max. surface temperature	Max. ambient temperature	Max. process temperature
T6	T85°C	+60°C +44°C	+60°C +85°C
T5	T100°C	+75°C +59°C	+75°C +100°C
T4	T130°C	+57°C +48°C	+115°C +130°C

Temperature class	Max. surface temperature	Min. ambient temperature	Min. process temperature
All classes	All surface temperatures	-40°C -33°C	-40°C -50°C

LR74			
Temperature class	Max. surface temperature	Max. ambient temperature	Max. process temperature
T6	T85°C	+60°C +54°C	+60°C +85°C
T5	T100°C	+75°C +69°C	+75°C +100°C
T4	T135°C	+72°C +68°C	+115°C +130°C
T3	T200°C	+64°C +58°C +54°C	+150°C +180°C +200°C

Temperature class	Max. surface temperature	Min. ambient temperature	Min. process temperature
All classes	All surface temperatures	-40°C -37°C	-40°C -50°C

The gasket and antenna material temperatures must be in the approved limits. For more data, refer to the handbook.

**Functional Ratings:**

$V_{nom.} = 12-30 \text{ V}$ ;  $I_{nom.} = 4-20 \text{ mA}$  or  $3.8-20.5\text{mA}$ , error 3.5 mA or 21.5 mA  
 These ratings do not supersede hazardous locations values.

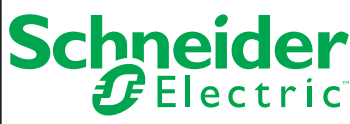
**WARNING: SUBSTITUTION OF COMPONENTS MAY IMPAIR INTRINSIC SAFETY  
 AVERTISSEMENT: LA SUBSTITUTION DE COMPOSANTS PEUT COMPROMETTRE LA SECURITE INTRINSEQUE**

Rev	Mod	Nom	Cont	Norm	Homol.
a	EMS-009906	ATH	18/03/2019	VPI	18/03/2019
Engineer			General Tolerances		
Prod			Edge of parts		
Cont			Surface condition		
Norm			Material		
Homol.			Folio		
A.THOLLET			12/17/2018		

Sensible Ex



Ech  
 Folio 1/1



**CONTROL DRAWING**  
 LR54/LR64/LR74 Free Space Radar  
 IS/Ex ia/AEx ia

Code d'article  
 Doc. type Doc. key  
 APPR 4007400501  
 Status released  
 Rev a

Toute communication ou reproduction de ce document, sous quelque forme que se soit, et toute exploitation ou communication de son contenu sont interdites, sauf autorisation expresse. Tout manquement à cette règle est illégitime et expose son auteur au versement de dommages et intérêts. Tous droits réservés pour le cas de la délivrance d'un modèle d'utilité ou d'un modèle de présentation.

L'échelle peut différer du dessin original (ISO 5455)

1000097161

**HAZARDOUS (CLASSIFIED) LOCATION**

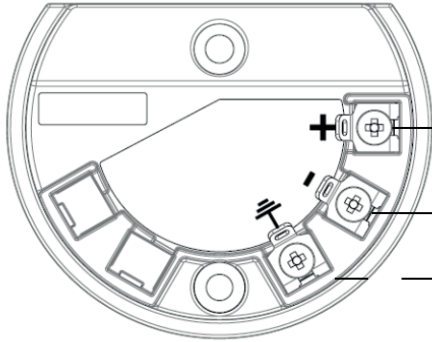
Class I/II/III, Div 1, GPS ABCDEFG  
 Class I, Zone 0, IIC  
 Zone 20, IIIC

**NON HAZARDOUS  
 (UNCLASSIFIED) LOCATION**

Approved Associated Apparatus  
 with Entity Parameters (see Note 4)

**Entity Parameters:**

- $U_i (V_{max}) = 30 \text{ V}$
- $I_i (I_{max}) = 130 \text{ mA}$
- $P_i (P_{max}) = 1.0 \text{ W}$
- $C_i = 10 \text{ nF}$
- $L_i = 0 \text{ }\mu\text{H}$



**CONNECTIONS FOR ENTITY CONCEPT  
 OF 2 WIRES / 4...20 mA HART VERSION**

**Notes:**

- 1) Installation shall be in accordance with ANSI / ISA-RP 12.06.01, "Installation of Intrinsically Safe Systems for Hazardous (classified) locations" and articles 500 to 510 of the National Electric Code ANSI / NFPA 70 for the U.S. and section 18 of the Canadian electrical code CSA 22.1 part 1 for Canada.
- 2) No revision to this drawing without prior agency approval.
- 3) If ambient temperature > 65°C, use heat-resistant cable certified for continuous operation above +80°C
- 4) To determine proper matching of I.S. equipment and the maximum cable length use the following entity parameter matching formulas:  
 $U_o (V_{oc}) \leq U_i (V_{max})$   
 $I_o (I_{oc}) \leq I_i \text{ or } (I_{max})$   
 $P_o \leq P_i (P_{max})$   
 $C_o (C_a) \geq \sum C_i + C_{cable}$   
 $L_o (L_a) \geq \sum L_i + L_{cable}$
- 5) Control equipment connected to the associated apparatus must not use or generate more than 250 Vrms or Vdc.
- 6) Connect the earth terminal (internal or external) with a min. cable cross-section 4mm<sup>2</sup>. The resistance between intrinsically safe ground and earth ground must be less than 1.0 Ω.
- 7) For class II, III, use a dust tight seal at the conduit entry. For zones 21 and 22, use a cable gland rated IP 6X at the housing cable entry.
- 8) Avoid electrostatic charge of the plastic sun cover, the lens antenna, the flange plate protection and the slanted flange (e.g. do not install in a location where the electrostatic charge can increase, do not rub with dry cloth).
- 9) Temperature Classes as a function of ambient temperature and process temperature (or process connection temperature) - see tables

**FOR FURTHER LIMITATIONS  
 SEE INSTRUCTION MANUAL**

LR65/LR75 without distance piece			
Temperature class	Max. surface temperature	Max. ambient temperature	Max. process temperature
T6	T85°C	+60°C +48°C	+60°C +85°C
T5	T100°C	+75°C +63°C	+75°C +100°C
T4	T130°C	+64°C +55°C	+115°C +135°C
T3	T150°C	+49°C	+150°C

Temperature class	Max. surface temperature	Min. ambient temperature	Min. process temperature
All classes	All surface temperatures	-40°C -35°C	-40°C -50°C

LR65/LR75 with distance piece			
Temperature class	Max. surface temperature	Max. ambient temperature	Max. process temperature
T6	T85°C	60°C 53°C	60°C 85°C
T5	T100°C	75°C 68°C	75°C 100°C
T4	T135°C	70°C 65°C	115°C 135°C
T3	T200°C	61°C 53°C 48°C	150°C 180°C 200°C

Temperature class	Max. surface temperature	Min. ambient temperature	Min. process temperature
All classes	All surface temperatures	-40°C	-40°C

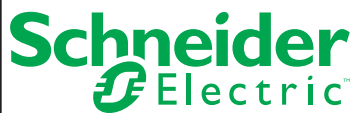
The gasket temperatures must be in the approved limits. For more data, refer to the handbook.

**Functional Ratings:**

$V_{nom.} = 12-30 \text{ V}$ ;  $I_{nom.} = 4-20 \text{ mA}$  or  $3.8-20.5 \text{ mA}$ , error 3.5 mA or 21.5 mA  
 These ratings do not supersede hazardous locations values.

**WARNING: SUBSTITUTION OF COMPONENTS MAY IMPAIR INTRINSIC SAFETY  
 AVERTISSEMENT: LA SUBSTITUTION DE COMPOSANTS PEUT COMPROMETTRE LA SECURITE INTRINSEQUE**

Rev	Mod	Nom	Cont	Norm	Homol.	
	EMS-009638					
Engineer				General Tolerances		
Prod	A.THOLLET	12/17/2018	Edge of parts			
Cont	V.PICHOT	12/17/2018	Surface condition			
Norm				Material		
Homol.	A.THOLLET	12/17/2018			Ech	
					Folio	1/1



**CONTROL DRAWING**  
 LR65/LR75 Free Space Radar  
 IS/Ex ia/AEx ia

Code d'article	Doc. type	Doc. key	Rev
	APPR	4007400601	-
Status	released		

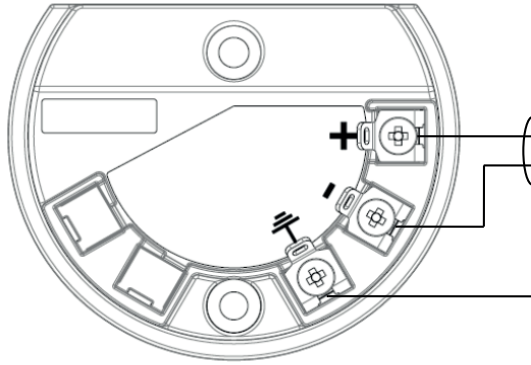
Toute communication ou reproduction de ce document, sous quelque forme que se soit, et toute exploitation ou communication de son contenu sont interdites, sauf autorisation expresse. Tout manquement à cette règle est illégitime et expose son auteur au versement de dommages et intérêts. Tous droits réservés pour le cas de la délivrance d'un modèle d'utilité ou d'un modèle de présentation.

1000097161

L'échelle peut différer du dessin original (ISO 5455)

**HAZARDOUS (CLASSIFIED) LOCATION**

Class I/II/III, Div 1, GPS ABCDEFG  
 Class I, Zone 1, IIC  
 Zone 21, IIIC  
 Antenna suitable for zone 0 and zone 20



**NON HAZARDOUS (UNCLASSIFIED) LOCATION**

Power supply (see Note 4)

CONNECTIONS OF 2 WIRES / 4...20 mA HART VERSION

**Notes:**

- 1) Installation shall be in accordance with articles 500 to 510 of the National Electric Code ANSI / NFPA 70 for the U.S. and section 18 of the Canadian electrical code CSA 22.1 part 1 for Canada.
- 2) No revision to this drawing without prior agency approval.
- 3) If ambient temperature > 65°C, use heat-resistant cable certified for continuous operation above +80°C
- 4) Power supply must not use or generate more than 250 Vrms or Vdc.
- 5) Cable entry must be sealed within 18" conduit of enclosure (divisions) or at the enclosure (zones).
- 6) Connect the earth terminal (internal or external) with a min. cable cross-section 4mm<sup>2</sup>. The resistance between intrinsically safe ground and earth ground must be less than 1.0 Ω.
- 7) For class II, III, use a dust tight seal at the conduit entry. For zones 21 and 22, use a cable gland rated IP 6X at the housing cable entry.
- 8) Avoid electrostatic charge of the plastic sun cover, the hygienic antenna, the drop antenna, the flange plate protection, the extension protection and the slanted flange (e.g. do not install in a location where the electrostatic charge can increase, do not rub with dry cloth).
- 9) Temperature Classes as a function of ambient temperature and process temperature (or process connection temperature) - see tables

**FOR FURTHER LIMITATIONS  
 SEE INSTRUCTION MANUAL**

LR54 – LR64			
Temperature class	Max. surface temperature	Max. ambient temperature	Max. process temperature
T6	T85°C	+60°C +44°C	+60°C +85°C
T5	T100°C	+75°C +59°C	+75°C +100°C
T4	T130°C	+57°C +48°C	+115°C +130°C

Temperature class	Max. surface temperature	Min. ambient temperature	Min. process temperature
All classes	All surface temperatures	-40°C -33°C	-40°C -50°C

LR74			
Temperature class	Max. surface temperature	Max. ambient temperature	Max. process temperature
T6	T85°C	+60°C +54°C	+60°C +85°C
T5	T100°C	+75°C +69°C	+75°C +100°C
T4	T135°C	+72°C +68°C	+115°C +130°C
T3	T200°C	+64°C +58°C +54°C	+150°C +180°C +200°C

Temperature class	Max. surface temperature	Min. ambient temperature	Min. process temperature
All classes	All surface temperatures	-40°C -37°C	-40°C -50°C

The gasket and antenna material temperatures must be in the approved limits. For more data, refer to the handbook.

**Functional Ratings:**

V<sub>nom.</sub> = 16-36 V; I<sub>nom.</sub> = 4-20 mA or 3.8-20.5mA, error 3.5 mA or 21.5 mA  
 These ratings do not supersede hazardous locations values.

Toute communication ou reproduction de ce document, sous quelque forme que se soit, et toute exploitation ou communication de son contenu sont interdites, sauf autorisation expresse. Tout manquement à cette règle est illégitime et expose son auteur au versement de dommages et intérêts. Tous droits réservés pour le cas de la délivrance d'un modèle d'utilité ou d'un modèle de présentation.

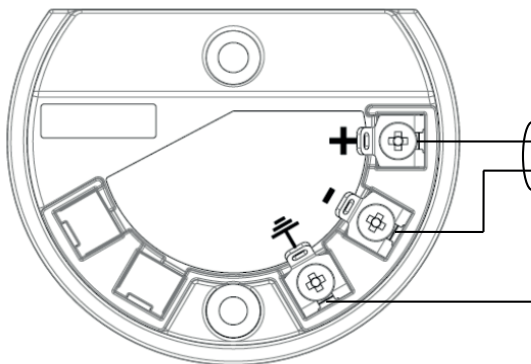
1000097161

L'échelle peut différer du dessin original (ISO 5455)

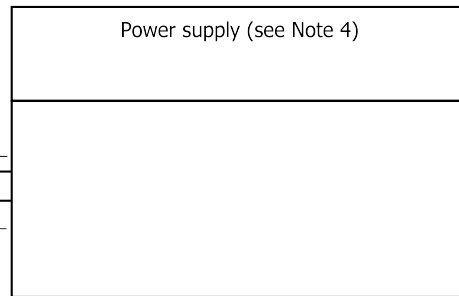
Rev a	Mod EMS-009906	Nom ATH	Cont VPI	Norm	Homol. ATH	18/03/2019	18/03/2019	18/03/2019
Engineer				General Tolerances				Sensible Ex
Prod		A.THOLLET	12/17/2018	Edge of parts				
Cont		V.PICHOT	12/17/2018	Surface condition				
Norm				Material				Ech
Homol.		A.THOLLET	12/17/2018					Folio 1/1
		CONTROL DRAWING				Code d'article		
		LR54/LR64/LR74 Free Space Radar				Doc. type Doc. key Rev a		
XP-IS/DIP/Ex db ia/Ex ia tb/				APPR 4007400701				
AEx db ia/AEx ia tb				Status released				

**HAZARDOUS (CLASSIFIED) LOCATION**

Class I/II/III, Div 1, GPS ABCDEFG  
 Class I, Zone 1, IIC  
 Zone 21, IIC  
 Antenna suitable for zone 0 and zone 20



**NON HAZARDOUS (UNCLASSIFIED) LOCATION**



CONNECTIONS OF 2 WIRES / 4...20 mA HART VERSION

L'échelle peut différer du dessin original (ISO 5455) 1000097161

**Notes:**

- 1) Installation shall be in accordance with articles 500 to 510 of the National Electric Code ANSI / NFPA 70 for the U.S. and section 18 of the Canadian electrical code CSA 22.1 part 1 for Canada.
- 2) No revision to this drawing without prior agency approval.
- 3) If ambient temperature > 65°C, use heat-resistant cable certified for continuous operation above +80°C
- 4) Power supply must not use or generate more than 250 Vrms or Vdc.
- 5) Cable entry must be sealed within 18" conduit of enclosure (divisions) or at the enclosure (zones).
- 6) Connect the earth terminal (internal or external) with a min. cable cross-section 4mm<sup>2</sup>. The resistance between intrinsically safe ground and earth ground must be less than 1.0 Ω.
- 7) For class II, III, use a dust tight seal at the conduit entry. For zones 21 and 22, use a cable gland rated IP 6X at the housing cable entry.
- 8) Avoid electrostatic charge of the plastic sun cover, the hygienic antenna, the drop antenna, the flange plate protection, the extension protection and the slanted flange (e.g. do not install in a location where the electrostatic charge can increase, do not rub with dry cloth).
- 9) Temperature Classes as a function of ambient temperature and process temperature (or process connection temperature) - see tables

**FOR FURTHER LIMITATIONS  
SEE INSTRUCTION MANUAL**

LR65/LR75 without distance piece			
Temperature class	Max. surface temperature	Max. ambient temperature	Max. process temperature
T6	T85°C	+60°C +48°C	+60°C +85°C
T5	T100°C	+75°C +63°C	+75°C +100°C
T4	T130°C	+64°C +55°C	+115°C +135°C
T3	T150°C	+49°C	+150°C

Temperature class	Max. surface temperature	Min. ambient temperature	Min. process temperature
All classes	All surface temperatures	-40°C -35°C	-40°C -50°C


LR65/LR75 with distance piece			
Temperature class	Max. surface temperature	Max. ambient temperature	Max. process temperature
T6	T85°C	60°C 53°C	60°C 85°C
T5	T100°C	75°C 68°C	75°C 100°C
T4	T135°C	70°C 65°C	115°C 135°C
T3	T200°C	61°C 53°C 48°C	150°C 180°C 200°C

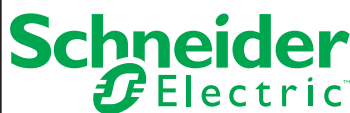
Temperature class	Max. surface temperature	Min. ambient temperature	Min. process temperature
All classes	All surface temperatures	-40°C	-40°C

The gasket and antenna material temperatures must be in the approved limits. For more data, refer to the handbook.

**Functional Ratings:**

V<sub>nom.</sub> = 16-36 V; I<sub>nom.</sub> = 4-20 mA or 3.8-20.5mA, error 3.5 mA or 21.5 mA  
 These ratings do not supersede hazardous locations values.

Rev	Mod	Nom	Cont	Norm	Homol.
	EMS-009638				
Engineer	General Tolerances			Sensible Ex 	
Prod	A.THOLLET	12/17/2018	Edge of parts		
Cont	V.PICHOT	12/17/2018	Surface condition		
Norm			Material		
Homol.	A.THOLLET	12/17/2018		Ech	Folio 1/1



**CONTROL DRAWING**  
 LR65/LR75 Free Space Radar  
 XP-IS/DIP/Ex db ia/Ex ia tb/  
 AEx db ia/AEx ia tb

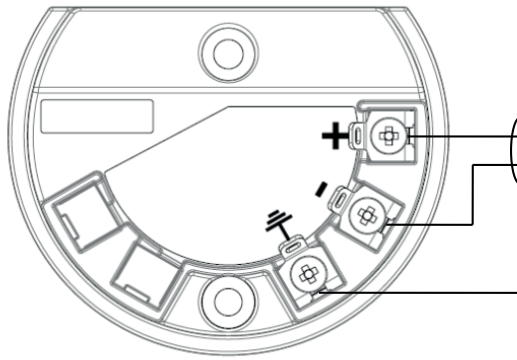
Code d'article	Doc. type	Doc. key	Rev
	APPR	4007400801	-
Status	released		

Toute communication ou reproduction de ce document, sous quelque forme que se soit, et toute exploitation ou communication de son contenu sont interdites, sauf autorisation expresse. Tout manquement à cette règle est illégitime et expose son auteur au versement de dommages et intérêts. Tous droits réservés pour le cas de la délivrance d'un modèle d'utilité ou d'un modèle de présentation.

**HAZARDOUS (CLASSIFIED) LOCATION**

Class I/II/III, Div 2, GPS ABCDFG

**NON HAZARDOUS  
(UNCLASSIFIED) LOCATION**



CONNECTIONS FOR NON INCENDIVE CONCEPT  
OF 2 WIRES / 4...20 mA HART VERSION

**Notes:**

- 1) Installation shall be in accordance with articles 500 to 510 of the National Electric Code ANSI / NFPA 70 for the U.S. and section 18 of the Canadian electrical code CSA 22.1 part 1 for Canada.
- 2) No revision to this drawing without prior agency approval.
- 3) If ambient temperature > 65°C, use heat-resistant cable certified for continuous operation above +80°C
- 4) Intrinsic safety barrier not required. See functional ratings.
- 5) Connect the earth terminal (internal or external) with a min. cable cross-section 4mm<sup>2</sup>. The resistance between intrinsically safe ground and earth ground must be less than 1.0 Ω.
- 6) For class II, III, use a dust tight seal at the conduit entry.
- 7) Avoid electrostatic charge of the plastic sun cover, the hygienic antenna, the drop antenna, the flange plate protection, the extension protection and the slanted flange (e.g. do not install in a location where the electrostatic charge can increase, do not rub with dry cloth).
- 8) Temperature Classes as a function of ambient temperature and process temperature (or process connection temperature) - see tables

**Functional Ratings:**

V<sub>nom.</sub> = 12-30 V; I<sub>nom.</sub> = 4-20 mA or 3.8-20.5mA, error 3.5 mA or 21.5 mA

**FOR FURTHER LIMITATIONS  
SEE INSTRUCTION MANUAL**

LR54 – LR64			
Temperature class	Max. surface temperature	Max. ambient temperature	Max. process temperature
T6	T85°C	+60°C +44°C	+60°C +85°C
T5	T100°C	+75°C +59°C	+75°C +100°C
T4	T130°C	+57°C +48°C	+115°C +130°C

Temperature class	Max. surface temperature	Min. ambient temperature	Min. process temperature
All classes	All surface temperatures	-40°C -33°C	-40°C -50°C

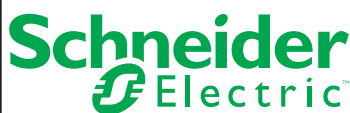
LR74			
Temperature class	Max. surface temperature	Max. ambient temperature	Max. process temperature
T6	T85°C	+60°C +54°C	+60°C +85°C
T5	T100°C	+75°C +69°C	+75°C +100°C
T4	T135°C	+72°C +68°C	+115°C +130°C
T3	T200°C	+64°C +58°C +54°C	+150°C +180°C +200°C

Temperature class	Max. surface temperature	Min. ambient temperature	Min. process temperature
All classes	All surface temperatures	-40°C -37°C	-40°C -50°C

The gasket and antenna material temperatures must be in the approved limits. For more data, refer to the handbook.

**WARNING: EXPLOSIVE HAZARD. DO NOT DISCONNECT EQUIPMENT UNLESS POWER HAS BEEN SWITCHED OFF OR AREA IS KNOWN TO BE NON-HAZARDOUS. SUBSTITUTION OF COMPONENTS MAY IMPAIR SUITABILITY FOR USE IN DIV. 2**  
**AVERTISSEMENT: RISQUE D'EXPLOSION. AVANT DE DEBRANCHER L'EQUIPEMENT COUPEZ LE COURANT OU ASSUREZ-VOUS QUE L'EMPLACEMENT EST NON DANGEREUX. LA SUBSTITUTION DE COMPOSANTS PEUT RENDRE CE MATERIEL INACCEPTABLE POUR LA DIV 2**

Rev a	Mod EMS-009906	Nom ATH	Cont 18/03/2019	VPI	18/03/2019	Norm	Homol. ATH	18/03/2019	
Engineer				General Tolerances				Sensible Ex	
Prod		A.THOLLET	12/17/2018	Edge of parts					
Cont		V.PICHOT	12/17/2018	Surface condition					
Norm				Material				Ech	
Homol.		A.THOLLET	12/17/2018					Folio	1/1



**CONTROL DRAWING**  
LR54/LR64/LR74 Free Space Radar  
**NON INCENDIVE**

Code d'article	Rev a
Doc. type Doc. key APPR 4007400901	
Status released	

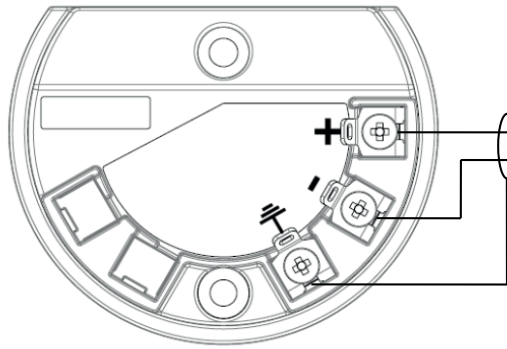
Toute communication ou reproduction de ce document, sous quelque forme que se soit, et toute exploitation ou communication de son contenu sont interdites, sauf autorisation expresse. Tout manquement à cette règle est illégitime et expose son auteur au versement de dommages et intérêts. Tous droits réservés pour le cas de la délivrance d'un modèle d'utilité ou d'un modèle de présentation.

1000097161

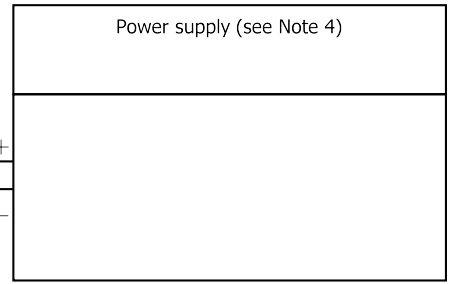
L'échelle peut différer du dessin original (ISO 5455)

**HAZARDOUS (CLASSIFIED) LOCATION**

Class I/II/III, Div 2, GPS ABCDFG



**NON HAZARDOUS (UNCLASSIFIED) LOCATION**



CONNECTIONS FOR NON INCENDIVE CONCEPT OF 2 WIRES / 4...20 mA HART VERSION

**Notes:**

- 1) Installation shall be in accordance with articles 500 to 510 of the National Electric Code ANSI / NFPA 70 for the U.S. and section 18 of the Canadian electrical code CSA 22.1 part 1 for Canada.
- 2) No revision to this drawing without prior agency approval.
- 3) If ambient temperature > 65°C, use heat-resistant cable certified for continuous operation above +80°C
- 4) Intrinsic safety barrier not required. See functional ratings.
- 5) Connect the earth terminal (internal or external) with a min. cable cross-section 4mm<sup>2</sup>. The resistance between intrinsically safe ground and earth ground must be less than 1.0 Ω.
- 6) For class II, III, use a dust tight seal at the conduit entry.
- 7) Avoid electrostatic charge of the plastic sun cover, the lens antenna, the flange plate protection and the slanted flange (e.g. do not install in a location where the electrostatic charge can increase, do not rub with dry cloth).
- 8) Temperature Classes as a function of ambient temperature and process temperature (or process connection temperature) - see tables

**Functional Ratings:**

V<sub>nom.</sub> = 12-30 V; I<sub>nom.</sub> = 4-20 mA or 3.8-20.5mA, error 3.5 mA or 21.5 mA

**FOR FURTHER LIMITATIONS SEE INSTRUCTION MANUAL**

LR65/LR75 without distance piece			
Temperature class	Max. surface temperature	Max. ambient temperature	Max. process temperature
T6	T85°C	+60°C +48°C	+60°C +85°C
T5	T100°C	+75°C +63°C	+75°C +100°C
T4	T130°C	+64°C +55°C	+115°C +135°C
T3	T150°C	+49°C	+150°C

Temperature class	Max. surface temperature	Min. ambient temperature	Min. process temperature
All classes	All surface temperatures	-40°C -35°C	-40°C -50°C

LR65/LR75 with distance piece			
Temperature class	Max. surface temperature	Max. ambient temperature	Max. process temperature
T6	T85°C	60°C 53°C	60°C 85°C
T5	T100°C	75°C 68°C	75°C 100°C
T4	T135°C	70°C 65°C	115°C 135°C
T3	T200°C	61°C 53°C 48°C	150°C 180°C 200°C

Temperature class	Max. surface temperature	Min. ambient temperature	Min. process temperature
All classes	All surface temperatures	-40°C	-40°C

The gasket and antenna material temperatures must be in the approved limits. For more data, refer to the handbook.

**WARNING: EXPLOSIVE HAZARD. DO NOT DISCONNECT EQUIPMENT UNLESS POWER HAS BEEN SWITCHED OFF OR AREA IS KNOWN TO BE NON-HAZARDOUS. SUBSTITUTION OF COMPONENTS MAY IMPAIR SUITABILITY FOR USE IN DIV. 2**  
**AVERTISSEMENT: RISQUE D'EXPLOSION. AVANT DE DEBRANCHER L'EQUIPEMENT COUPEZ LE COURANT OU ASSUREZ-VOUS QUE L'EMPLACEMENT EST NON DANGEREUX. LA SUBSTITUTION DE COMPOSANTS PEUT RENDRE CE MATERIEL INACCEPTABLE POUR LA DIV 2**

Rev	Mod	Nom	Cont	Norm	Homol.
	EMS-009638				
Engineer	General Tolerances			Sensible Ex	
Prod	A.THOLLET	12/17/2018	Edge of parts		
Cont	V.PICHOT	12/17/2018	Surface condition		
Norm			Material		
Homol.	A.THOLLET	12/17/2018		Ech	Folio 1/1

	CONTROL DRAWING		Code d'article
	LR65/LR75 Free Space Radar		Doc. type Doc. key Rev
	NON INCENDIVE		APPR 4007401001 -
	Status	released	

Toute communication ou reproduction de ce document, sous quelque forme que se soit, et toute exploitation ou communication de son contenu sont interdites, sauf autorisation expresse. Tout manquement à cette règle est illégitime et expose son auteur au versement de dommages et intérêts. Tous droits réservés pour le cas de la délivrance d'un modèle d'utilité ou d'un modèle de présentation.

1000097161

L'échelle peut différer du dessin original (ISO 5455)

Schneider Electric Systems USA, Inc.  
38 Neponset Avenue  
Foxboro, MA 02035  
United States of America  
<http://www.schneider-electric.com>

Global Customer Support  
Inside U.S.: 1-866-746-6477  
Outside U.S.: 1-508-549-2424  
<https://pasupport.schneider-electric.com>

