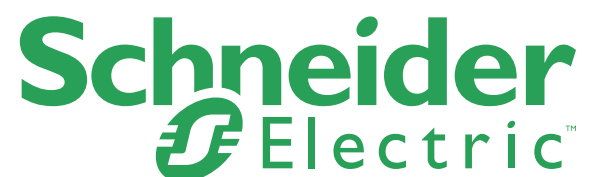


**Parts List for
Guided Wave Radars
and Free Space Radars**

Give instrument Model Code when ordering.
*Parts preceded by an asterisk are recommended spare parts.
See Recommended Spare Parts Summary section for quantities.

TO ORDER PARTS, CALL 1-866-746-6477.



Contents

LG01 Parts List	3
Model Code - LG01	3
Parts - LG01	6
LR01 Parts List	9
Model Code - LR01	9
Parts - LR01	12
LR54 Parts List	15
Model Code - LR54	15
Parts - LR54	18
LR64 Parts List	23
Model Code - LR64	23
Parts - LR64	26
LR65 Parts List	31
Model Code - LR65	31
Parts - LR65	34
LR74 Parts List	37
Model Code - LR74	37
Parts - LR74	41
LR75 Parts List	46
Model Code - LR75	46
Parts - LR75	49

LG01 Parts List

Model Code - LG01 (a)

Description	Model
Two-wire loop-powered Guided Wave Radar	LG01
Version	
Level Meter	4
Converter Version: (Housing Material - Protection Class)	
LevelWave LG01: Compact version (Aluminum - IP66/67)	1
LevelWave LG01: Compact version (Stainless steel - IP 66/67)	2
LevelWave LG01: Remote Version (Converter & Antenna Housing: Aluminum - IP 66/67)	3
LevelWave LG01: Remote Version (Converter & Antenna Housing: Stainless Steel - IP 66/67)	4
LevelWave LG01: Remote Version (Converter Housing: Aluminum + Antenna Housing: Stainless Steel - IP 66/67)	5
Approval	
Without	0
ATEX Ex ia IIC T2...T6 + DIP	1
ATEX Ex d ia IIC T2...T6 + DIP	2
ATEX Ex ic IIC T2...T6 + DIP (Zone 2 & 22)	4
IECEX Ex ia IIC T2...T6 + DIP	6
IECEX Ex d ia IIC T2...T6 + DIP	7
IECEX Ex d ic IIC T2...T6 + DIP (Zone2 & 22)	8
cFMus IS CL I/II/III, DIV1, GPS A-G; CL I, Zone 0/20, Ex ia IIC/IIIC T2...T6	A
cFMus XP-IS/DIP CL I/II/III, DIV1, GPS A-G (A not for CAN); CL I, Zone 0-20, Ex d/tb IIC/IIIC T2...T6	B
cFMus NI CL I/II/III, DIV2, GPS A-G; CL I, Zone 2, Ex nA IIC T2...T6	C
NEPSI Ex ia IIC T2~T6 + DIP	L
NEPSI Ex d ia IIC T2~T6 + DIP	M
INMETRO Ex ia IIC T2...T6 + DIP	R
INMETRO Ex d ia IIC T2...T6 + DIP	S
INMETRO Ex ic IIC T2...T6 + DIP (Zone 2 & 22)	T
Other Approval	
Without	0
SIL 2 only available for LevelWave LG01 Compact Version with 4...20 mA output	1
CRN (Canadian Registration Number)	4
CRN & SIL 2 only available for LevelWave LG01 Compact Version with 4...20 mA output	5
Process Seal (Material to be checked by customer)	
FKM/FPM -40°C...+150°C (-40F...+302F)/-1...40 barg (-14.5...580 psig)	1
Kalrez@6375 -20°C...+150°C (-4F...+302F)/-1...40 barg (-14.5...580 psig)	2
EPDM -50°C...+150°C (-58F...+302F)/-1...40 barg (-14.5...580 psig)	3
FKM/FPM HT -40°C...+300°C (-40F...+572F)/-1...40 barg (-14.5...580 psig)	6
Kalrez@6375 HT -20°C...+300°C (-4F...+572F)/-1...40 barg (-14.5...580 psig)	7
EPDM HT -50°C...+250°C (-58F...+482F)/-1...40 barg (-14.5...580 psig)	8
Probe Type and Material	
Single Rod - Ø8 mm (0.31") 316L 1..4 m (3.28...13.12 ft) Liquids & Solids	1
Single Rod - Ø8 mm (0.32") Segmented 316L 1..6 m (3.28...19.69 ft) Liquids	2
Single Cable - Ø2 mm (0.08") 316 1..40 m (3.28...131.23 ft) Liquids	3
Single Cable - Ø4 mm (0.16") 316 1..40 m (3.28...131.23 ft) Liquids 1..20 m (3.28...65.62 ft) Solids	4
Single Cable - Ø8 mm (0.32") 316 1..40 m (3.28...131.23 ft) Solids	5
Double Rod - 2 x Ø8 mm (0.32") 316L 1..4 m (3.28...13.12 ft) Liquids	6
Double Cable - 2 x Ø4 mm (0.16") 316 1..40 m (3.28...131.23 ft) Liquids	7
Coax - Ø22 mm (0.87") 316L 0.6...6 m (1.97...19.69 ft) Liquids	A
Coax - Ø22 mm (0.87") Segmented 316L 0.6...6 m (1.97...19.69 ft) Liquids	B
Single Cable - Ø2 mm (0.08") Nickel alloy (b) 1..40 m (3.28...131.23 ft) Liquids	D
Coax - Ø22 mm (0.87") Nickel alloy (b) 0.6...6 m (1.97...19.69 ft) Liquids	E
Probe Connection for Single Rod/Cable probe 316L - probe not included (Not valid for Single Cable 2 mm (0.08"))	K
Probe connection for Double Rod/Cable probe 316L - probe not included	L
Single Rod - Ø16 mm (0.64") PVDF Sheath 1..4 m (3.28...13.12 ft) (Not cFMus) (Approval Class IIB only) Liquids	P

Model Code - LG01 (a) (Continued)

Description	Model
Probe End	
Without	0
Counterweight 14 x 100 mm (0.55x3.94 in) 316L for single cable - 2 mm (0.08 in)	1
Counterweight 20 x 100 mm (0.79x3.94 in) Diameter 316L for single cable - 4 mm (0.16 in)	2
Counterweight Ø12 x 100 mm (0.47 x 3.94 in) 316L for single cable - Ø8 mm (0.32 in)	3
Counterweight Ø38 x 245 mm (1.05 x 9.65 in) 316L for single cable - Ø8 mm (0.32 in)	4
Counterweight 38 x 60 mm (1.5 x 2.36 in) 316L for double cable - 4 mm (0.16 in)	5
Turnbuckle 316L for single/double cable - 4 mm (0.16 in)	7
Chuck 316L for single cable 4 mm (0.16 in)	8
Threaded End 316L for single/double cable - 4 mm (0.16 in)	A
Crimped end 316L for single cable - 4 mm (0.16 in)	B
Open End 316L for single cable - 4 mm (0.16 in)	D
Counterweight 14 x 100 mm (0.55 x 3.94 in) Nickel alloy (b) for single cable - 2 mm (0.08 in)	F
Process Connection Size	
½" Thread	C
¾" Thread	D
DN25/1"	E
DN40/1½"/40A	G
DN50/2"/50A	H
DN80/3"/80A	L
DN100/4"/100A	M
DN150/6"/150A	P
DN200/8"/200A	R
Process Connection Pressure Class or Thread	
Without	0
150 lbs	1
300 lbs	2
NPT - Thread B1.20.1	A
NPTF - Thread B1.20.3 (Dryseal)	B
PN 10	D
PN 16	E
PN 25	F
PN 40	G
G - Thread	P
JIS 10K	U
Process Connection Flange Face Finish	
Without	0
Form B1	1
Form B2	2
Form C	3
Form D	4
Form E	5
Form F	6
RF (Raised Face) (for ASME B16.5)	A
FF (Flat Face) (for ASME B16.5)	B
LG (Large Groove) (for ASME B16.5)	C
LF (Large Female) (for ASME B16.5)	D
LT (Large Tongue) (for ASME B16.5)	E
LM (Large Male) (for ASME B16.5)	F
SG (Small Groove) (for ASME B16.5)	G
SF (Small Female) (for ASME B16.5)	H
ST (Small Tongue) (for ASME B16.5)	K
SM (Small Male) (for ASME B16.5)	L
RJ (Ring Joint) (for ASME B16.5)	M
RF (Raised Face) (for JIS B2220)	P
Output	
4...20 mA passive HART® (2 wire)	1
FOUNDATION™ Fieldbus (2 wire)	A
Profibus PA (2 wire)	B

Model Code - LG01 (a) (Continued)

Description	Model
<u>Cable Entry/Cable Gland</u>	
Without	0
M20 x 1.5 cable entry/Without cable gland	1
M20 x 1.5 cable entry/Plastic cable gland	2
M20 x 1.5 cable entry/Brass cable gland	3
M20 x 1.5 cable entry/Stainless steel cable gland	4
1/2 NPT Brass cable entry adapter/Without cable gland	A
1/2 NPT Stainless steel cable adapter/Without cable gland	B
<u>Housing Option/Display</u>	
Horizontal Orientation/Without Display/Without Weather protection	1
Horizontal Orientation/Display on side/Without Weather protection	2
Horizontal Orientation/Without Display/With Weather protection	3
Horizontal Orientation/Display on side/With Weather protection	4
Vertical Orientation/Without Display/Without Weather protection	A
Vertical Orientation/Display on top/Without Weather protection	B
Vertical Orientation/Display on side/Without Weather protection	C
Vertical Orientation/Without Display/With Weather protection	D
Vertical Orientation/Display on top/With Weather protection	E
Vertical Orientation/Display on side/With Weather protection	F
<u>Display Language (English Included in Every Display)</u>	
Without (if no display)	0
English	1
German	2
French	3
Italian	4
Spanish	5
Portuguese	6
Japanese	7
Chinese (Mandarin)	8
Russian	A
<u>Remote Option</u>	
Without	0
Signal Cable 10 m (32.81 ft)	6
Signal Cable 25 m (82.02 ft)	7
Signal Cable 50 m (164.04 ft)	8
Signal Cable 75 m (246.06 ft)	A
Signal Cable 100 m (328.08 ft)	B
<u>Adapters</u>	
Without	0
<u>Calibration Certificate</u>	
Without (for standard accuracy ± 10 mm (0.39 in) up to 10 m (32.81 ft))	0
Calibration certificate 2 points for accuracy ± 3 mm (0.12") (for coax > 600 mm (23.62") - other probes: 1st point > 500 mm (19.69"))	1
Calibration certificate 2 points for accuracy ± 3 mm (0.12") (for coax > 1000 mm (39.37") - other probes: 1st point > 500 mm (19.69"))	2
Calibration Certificate 5 points customer specific for accuracy ± 3 mm (± 0.12 ") (not for Coaxial)	3
<u>Tag Number</u>	
Without	0
Tag-No. on Stainless Steel plate (16 Characters max)	2
<u>Extra Option</u>	
Without	0
NACE Design (MR 0175/MR 0103/ISO 15156)	1
<u>Probe Length</u>	
Probelength (mm)	#####

- a. For additional ordering and model code information, please refer to www.buyautomation.com.
- b. Equivalent to Hastelloy® C22.

Parts - LG01

Figure 1. LG01 - Image 1

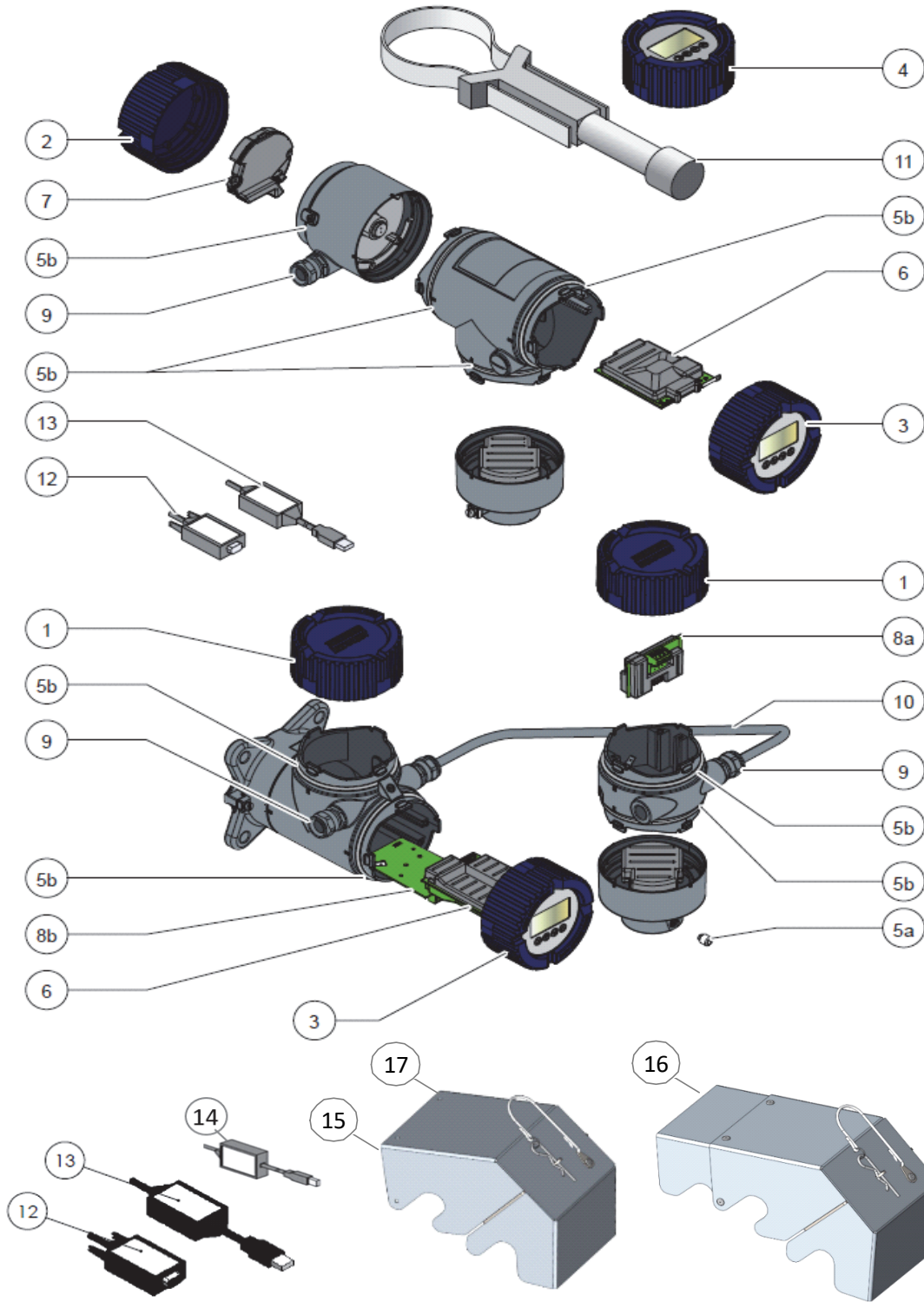


Table 1. Parts for Figure 1, "LG01 - Image 1"

Item Number	Description	Qty.	Part Number
	Housing		
1	Cover without LCD display (HMI) Alu	1	XF2001010F
	Cover without LCD display (HMI) SST	1	XF2001110F
2	Cover for Ex d module Alu	1	XF2001020F
	Cover for Ex d module SST	1	XF2001120F
3	Cover with LCD display (HMI): English/German/French/Italian Alu	1	XF2001030F
	Cover with LCD display (HMI): English/German/French/Italian SST	1	XF2001130F
	Cover with LCD display (HMI): English/Spanish/French/Portuguese Alu	1	XF2001040F
	Cover with LCD display (HMI): English/Spanish/French/Portuguese SST	1	XF2001140F
	Cover with LCD display (HMI): English/Russian/Chinese/Japanese Alu	1	XF2001050F
	Cover with LCD display (HMI): English/Russian/Chinese/Japanese SST	1	XF2001150F
4	HMI service tool: English/German/French/Italian Alu	1	XF2001060F
	HMI service tool: English/Spanish/French/Portuguese Alu	1	XF2001070F
	HMI service tool: English/Russian/Chinese/Japanese Alu	1	XF2001080F
5	Set of screws and gaskets for housing (10 x lock screws 5a + 10 x gaskets 5b)	1	XF20010900
6	Back End Electronic board		
	Back-end HART® 2-wire	1	XF2002010F
	Back-end FOUNDATION™ fieldbus 2-wire	1	XF2002020F
	Back-end PROFIBUS PA 2-wire	1	XF2002030F
	Electronic board		
7	Cartridge barrier Ex d (XP)	1	XF20020400
8	Remote RS485 boards (kit 2 boards/8a & 8b)	1	XF20020500
9	Cable gland/Cable entry		
	Cable gland/M20 x 1.5 plastic black non-Ex (GP)/Ex (NI)	10	XF20030100
	Cable gland/M20 x 1.5 plastic blue Ex i (IS)	10	XF20030200
	Cable gland/M20 x 1.5 nickel-plated brass Ex d	5	XF20030300
	Cable gland/M20 x 1.5 stainless steel Ex d	2	XF20030400
	Cable gland/M20 x 1.5 nickel-plated brass non-Ex (GP)/Ex (NI)/Ex i (IS)	5	X20030500
	Cable gland/M20 x 1.5 stainless steel non-Ex (GP)/Ex (NI)/Ex i (IS)	2	XF20030600
	Cable entry/1/2 NPT nickel-plated brass non-Ex (GP)/Ex (NI)/Ex i (IS)	5	XF20030700
	Cable entry/1/2 NPT nickel-plated brass Ex d	5	XF20030800
	Cable entry/1/2 NPT nickel-plated brass cFMus	5	XF20030900
	Cable entry/1/2 NPT stainless steel non-Ex (GP)/Ex (NI)/Ex i (IS)	2	XF20031000
	Cable entry/1/2 NPT stainless steel Ex d	2	XF20031100
	Cable entry/1/2 NPT stainless steel cFMus	2	XF20031200
10	Options for LG01 remote version		
	Signal cable 10 m (32.81 ft) (non-Ex: grey)	1	XF20040100
	Signal cable 25 m (82.02 ft) (non-Ex: grey)	1	XF20040200
	Signal cable 50 m (164.04 ft) (non-Ex: grey)	1	XF20040300
	Signal cable 75 m (246.06 ft) (non-Ex: grey)	1	XF20040400
	Signal cable 100 m (328.08 ft) (non-Ex: grey)	1	XF20040500
	Signal cable 10 m (32.81 ft) (Ex: blue)	1	XF20040600
	Signal cable 25 m (82.02 ft) (Ex: blue)	1	XF20040700
	Signal cable 50 m (164.04 ft) (Ex: blue)	1	XF20040800
	Signal cable 75 m (246.06 ft) (Ex: blue)	1	XF20040900
	Signal cable 100 m (328.08 ft) (Ex: blue)	1	XF20041000

Table 1. Parts for Figure 1, "LG01 - Image 1" (Continued)

Item Number	Description	Qty.	Part Number
	Miscellaneous		
11	Reinforced strap wrench	1	XF20050100
12	Viator RS232/HART®	1	XF20020600
13	Viator USB/HART®	1	XF20020700
14	USB/24 VDC Power supply	1	XF20020800
15	Weather protection Compact - Std/Exia/Ex ic	1	XF2005080F
16	Weather protection Compact - Exd/cFMus	1	XF2005090F
17	Weather protection Remote	1	XF2005100F

MODEL CODE - LR01

LR01 Parts List

Model Code - LR01 (a)

<u>Description</u>	<u>Model</u>
Free Space Radar RMCW technology for Level Measurement	LR01
<u>Version</u>	
Level Meter	4
<u>Converter Version (Housing Material - Protection Class)</u>	
LevelWave LR01: Compact version Aluminum - IP66/67	1
LevelWave LR01: Compact version Stainless Steel - IP66/67	2
LevelWave LR01: Remote version Converter & Antenna Housing Aluminum - IP66/67	3
LevelWave LR01: Remote version Converter & Antenna Housing Stainless Steel - IP66/67	4
<u>Approval</u>	
Without	0
ATEX Ex ia IIC T2...T6 + DIP	1
ATEX Ex d ia IIC T2...T6 + DIP	2
ATEX Ex ic IIC T2...T6 + DIP (Zone 2 & 22)	4
IECEX Ex ia IIC T2...T6 + DIP	6
IECEX Ex d ia IIC T2...T6 + DIP	7
IECEX Ex d ic IIC T2...T6 + DIP (Zone 2 & 22)	8
cFMus IS CL I/II/III, DIV 1, GPS A-G; CL I, Zone 0/20, Ex ia IIC/IIIC T2...T6	A
cFMUS XP-IS7DIP CL I/II/III, DIV 1, GPS A-G (A not for CAN); CL I, Zone 0/20, Ex d/tb IIC/IIIC T2...T6	B
cFMus NI CL I/II/III, DIV2, GPS A-G; CL I, Zone 2 Ex nA IIC T2...T6	C
NEPSI Ex ia IIC T2...T6 + DIP	L
NEPSI Ex d ia IIC T2...T6 + DIP	M
INMETRO Ex ia IIC T2...T6 + DIP	R
INMETRO Ex d ia IIC T2...T6 + DIP	S
INMETRO Ex ic IIC T2...T6 + DIP (Zone 2 & 22)	T
<u>Other Approval</u>	
Without	0
SIL 2 (only available for compact version with 4...20mA output)	1
CRN (Canadian Registration Number)	4
CRN + SIL 2 (only available for compact version with 4...20mA output)	5
<u>Process Seal (Material to be Checked by Customer)</u>	
FKM/FPM & Metaglas®/-40°C...+150°C Temperature: -40°C...+150°C (-40°F...+302°F) Pressure: -1...40 barg (-14.5...580 psig)	1
EPDM & Metaglas®/-50°C...+130°C Temperature: -50°C...+130°C (-58°F...+266°F) Pressure: -1...40 barg (-14.5...580 psig)	5
Kalrez®6375 & Metaglas®/-20°C...+150°C Temperature: -20°C...+150°C (-4°F...+302°F) Pressure: -1...40 barg (-14.5...580 psig)	6
PFA & Metaglas®/-60°C...+130°C Temperature: -60°C...+130°C (-76°F...+266°F) Pressure: -1...40 barg (-14.5...580 psig)	A
FKM/FPM & Metaglas®/-40°C...+200°C Temperature: -40°C...+200°C (-40°F...+392°F) Pressure: -1...40 barg (-14.5...580 psig)	D
Kalrez®6375 & Metaglas®/-20°C...+250°C Temperature: -20°C...+250°C (-4°F...+482°F) Pressure: -1...40 barg (-14.5...580 psig)	K
PP/-20°C...+100°C Temperature: -20°C...+100°C (-4°F...+212°F) Pressure: -1...16 barg (-14.5...232 psig)	R
PTFE/-50°C...+150°C Temperature: -50°C...+150°C (-58°F...+302°F) Pressure: -1...40 barg (-14.5...580 psig)	T
<u>Antenna Type and Material</u>	
Metallic Horn DN80 (3") 316L (sheet metal)	1
Metallic Horn DN100 (4") 316L (sheet metal)	2
Metallic Horn DN150 (6") 316L (sheet metal)	3
Metallic Horn DN200 (8") 316L (sheet metal)	4
Wave Horn Ø 43 mm (1.69") PP	G
Wave Horn Ø 43 mm (1.69") PTFE	H
Metallic Wave Guide <= 1 m (3.28 ft) 316L	L
Metallic Wave Guide <= 1.5 m (4.92 ft) 316L	M
Metallic Wave Guide <= 2 m (6.56 ft) 316L	N
Metallic Wave Guide <= 2.5 m (8.20 ft) 316L	P
Metallic Wave Guide <= 3 m (9.84 ft) 316L	R
Metallic Wave Guide <= 3.5 m (11.48 ft) 316L	S
Metallic Wave Guide <= 4 m (13.12 ft) 316L	T
Metallic Wave Guide <= 4.5 m (14.76 ft) 316L	U

Model Code - LR01 (a) (Continued)

Description	Model
Metallic Wave Guide <= 5 m (16.40 ft) 316L	V
Metallic Wave Guide <= 5.5 m (18.05 ft) 316L	W
Metallic Wave Guide <= 6 m (19.69 ft) 316L	X
Antenna Extension and Material	
Without	0
100 mm (3.94") PTFE	6
200 mm (7.87") PTFE	7
300 mm (11.81") PTFE	8
100 mm (3.94"), 316 L for the Metallic Horn only	E
200 mm (7.87"), 316 L for the Metallic Horn only	F
300 mm (11.81"), 316 L for the Metallic Horn only	G
400 mm (15.75"), 316 L for the Metallic Horn only	H
500 mm (19.69"), 316 L for the Metallic Horn only	K
1000 mm (39.37"), 316 L for the Metallic Horn only	R
S-bend extension 316L	W
L-bend (right angle) extension 316L	X
Process Connection Size (EN1092-1, ASME B16.5, JIS B2220)	
Thread	G
DN50, 2", 50A	H
DN80, 3", 80A	L
DN100, 4", 100A	M
DN150, 6", 150A	P
DN200, 8", 200A	R
Process Connection Pressure Class or Thread	
150 lbs	1
300 lbs	2
1 1/2 NPT 1 1/2 NPT for the PP Wave Horn only	A
PN 16	E
PN 40	G
G 1 1/2 G 1 1/2 for the PP Wave Horn only	P
JIS 10K	U
Process Connection Flange Face Finish	
Without For threaded process connection	0
Form B1 (for EN 1092-1)	1
Form B2 (for EN 1092-1)	2
Form C (for EN 1092-1)	3
Form D (for EN 1092-1)	4
Form E (for EN 1092-1)	5
Form F (for EN 1092-1)	6
RF (Raised Face) (for ASME B 16.5)	A
FF (Flat Face) (for ASME BB 16.5)	B
RF (Raised Face) (for JIS B2220)	P
Output	
4-20 mA passive HART® (2 wire)	1
FOUNDATION™ Fieldbus (2 wire)	A
Profibus PA (2 wire)	B
Cable Entry/Cable Gland	
M20 x 1.5/without gland	1
M20 x 1.5/Plastic gland	2
M20 x 1.5/Brass gland	3
M20 x 1.5/Stainless Steel gland	4
1/2 NPT Brass Adapter without gland	A
Stainless Steel Adapter without gland	B
Housing Option/Display	
Horizontal Housing, no Display, no Weather protection	1
Horizontal Housing, with Display, no Weather protection	2
Horizontal Housing, no Display, with Weather protection	3
Horizontal Housing, with Display, with Weather protection	4
Vertical Housing, no Display, no Weather protection	A
Vertical Housing, Display on top, no Weather protection	B

Model Code - LR01 (a) (Continued)

Description	Model
Vertical Housing, Display on side, no Weather protection	C
Vertical Housing, no Display, with Weather protection	D
Vertical Housing, Display on top, with Weather protection	E
Vertical Housing, Display on side, with Weather protection	F
Display Language (English Included in Every Display)	
Without (if no display)	0
English	1
German	2
French	3
Italian	4
Spanish	5
Portuguese	6
Japanese	7
Chinese (Mandarin)	8
Russian	A
Remote Option	
Without	0
Signal cable 10 m (32.81 ft) (non-Ex: grey, Ex: blue)	6
Signal Cable 25 m (82.02 ft) (non-Ex: grey, Ex: blue)	7
Signal Cable 50 m (164.04 ft) (non-Ex: grey, Ex: blue)	8
Signal Cable 75 m (246.06 ft) (non-Ex: grey, Ex: blue)	A
Signal Cable 100 m (328.08 ft) (non-Ex: grey, Ex: blue)	B
Adapters	
Without	0
Calibration Certificate	
Without	0
Calibration certificate accuracy ±5 mm (0.2")	1
Tag Number	
Without	0
Tag-No. on Stainless Steel plate (16 Characters max.)	2
Extra Option	
Without	0
NACE Design (MR0175/MR0103/ISO15156)	1
Heating/Cooling	3
Purging with liquid	5
Purging with liquid + Heating/Cooling Metallic Horn only	6
Purging with gas (Metallic Horn only)	A
Purging with gas & heating/cooling (Metallic Horn Antenna only)	B

a. For additional ordering and model code information, please refer to www.buyautomation.com.

Parts - LR01

Figure 2. Parts - LR01 - Image 1

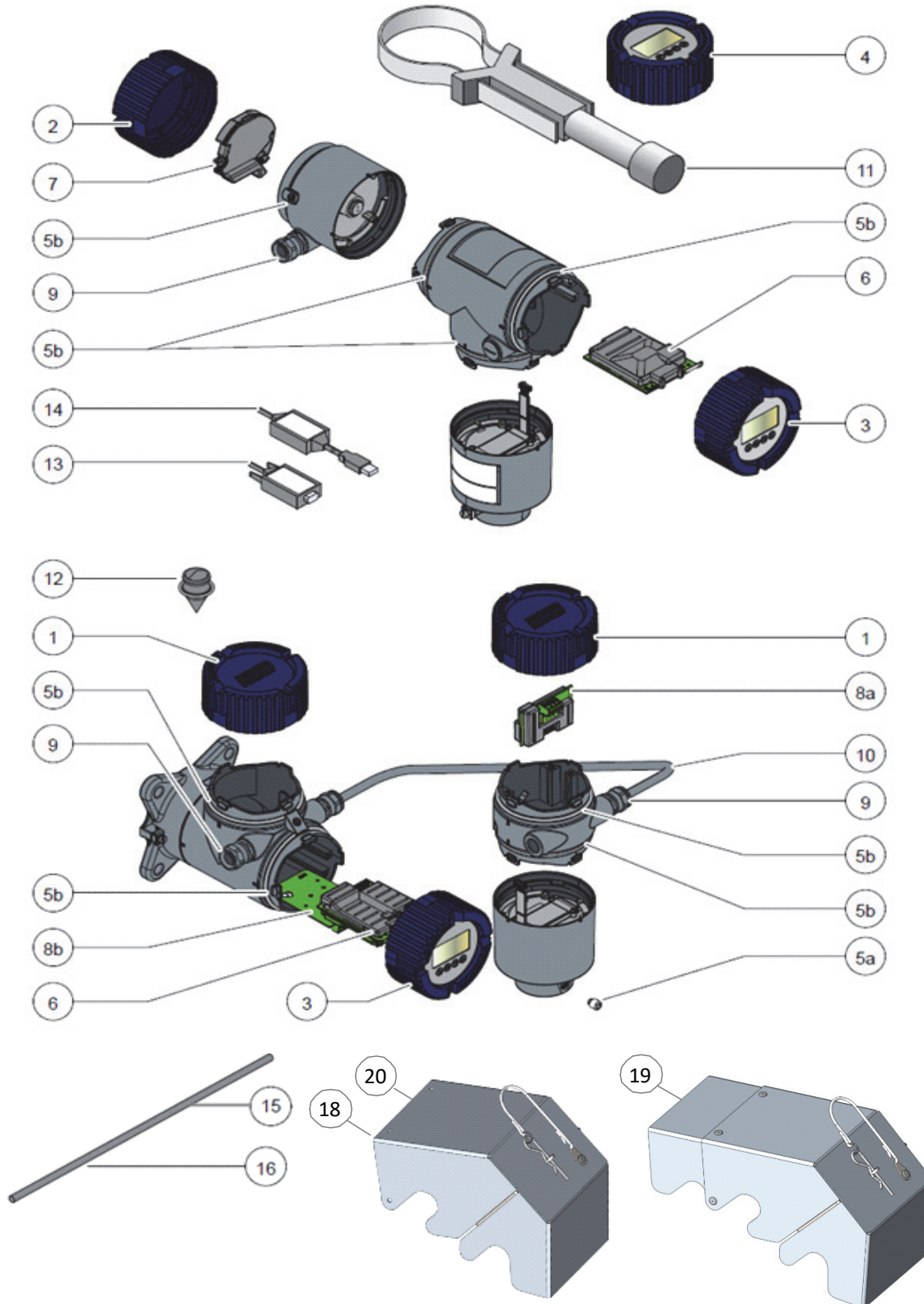


Table 2. Parts for Figure 2, "Parts - LR01 - Image 1"

Item Number	Description	Qty.	Part Number
	Housing		
1	Cover without LCD display (HMI) Alu	1	XF5001010F
	Cover without LCD display (HMI) SST	1	XF5001110F
2	Cover for Ex d module Alu	1	XF5001020F
	Cover for Ex d module SST	1	XF5001120F
3a	Cover with LCD display (HMI): English/German/French/Italian Alu	1	XF5001030F
	Cover with LCD display (HMI): English/German/French/Italian SST	1	XF5001130F
3b	Cover with LCD display (HMI): English/Spanish/French/Portuguese Alu	1	XF5001040F
	Cover with LCD display (HMI): English/Spanish/French/Portuguese SST	1	XF5001140F
3c	Cover with LCD display (HMI): English/Russian/Chinese/Japanese Alu	1	XF5001050F
	Cover with LCD display (HMI): English/Russian/Chinese/Japanese SST	1	XF5001150F
4a	HMI service tool: English/German/French/Italian Alu	1	XF5001060F
4b	HMI service tool: English/Spanish/French/Portuguese Alu	1	XF5001070F
4c	HMI service tool: English/Russian/Chinese/Japanese Alu	1	XF5001080F
05	Set of screws and gaskets for housing (10 x lock screws 5a + 10 x gaskets 5b)	1	XF50010900
06	Back End Electronic board		
	Back end HART® 2-wire	1	XF5002010F
	Back end FOUNDATION™ fieldbus 2-wire	1	XF5002020F
	Back end PROFIBUS PA 2-wire	1	XF5002030F
	Electronic board		
7	Cartridge barrier Ex d (XP)	1	XF50020400
8	Remote RS485 boards (kit 2 boards/8a & 8b)	1	XF50020500
9	Cable gland/Cable entry		
	Cable gland/M20 x 1.5 plastic black non-Ex (GP)/Ex (NI)	10	XF50030100
	Cable gland/M20 x 1.5 plastic blue Ex i (IS)	10	XF50030200
9a	Cable gland/M20 x 1.5 nickel-plated brass Ex d	5	XF50030300
	Cable gland/M20 x 1.5 stainless steel Ex d	2	XF50030400
	Cable gland/M20 x 1.5 nickel-plated brass non-Ex (GP)/Ex (NI)/Ex i (IS)	5	XF50030500
	Cable gland/M20 x 1.5 stainless steel non-Ex (GP)/Ex (NI)/Ex i (IS)	2	XF50030600
	Cable entry/1/2 NPT nickel-plated brass non-Ex (GP)/Ex (NI)/Ex i (IS)	5	XF50030700
9a	Cable entry/1/2 NPT nickel-plated brass Ex d	5	XF50030800
9a	Cable entry/1/2 NPT nickel-plated brass cFMus	5	XF50030900
	Cable entry/1/2 NPT stainless steel non-Ex (GP)/Ex (NI)/Ex i (IS)	2	XF50031000
9a	Cable entry/1/2 NPT stainless steel Ex d	2	XF50031100
9a	Cable entry/1/2 NPT stainless steel cFMus	2	XF50031200
10	Options for remote version (LR01)		
	Signal cable 10 m/32.81 ft (non-Ex: grey)	1	XF50040100
	Signal cable 25 m/82.02 ft (non-Ex: grey)	1	XF50040200
	Signal cable 50 m/164.04 ft (non-Ex: grey)	1	XF50040300
	Signal cable 75 m/246.06 ft (non-Ex: grey)	1	XF50040400
	Signal cable 100 m/328.08 ft (non-Ex: grey)	1	XF50040500
	Signal cable 10 m/32.81 ft (Ex: blue)	1	XF50040600
	Signal cable 25 m/82.02 ft (Ex: blue)	1	XF50040700
	Signal cable 50 m/164.04 ft (Ex: blue)	1	XF50040800
	Signal cable 75 m/246.06 ft (Ex: blue)	1	XF50040900
	Signal cable 100 m/328.08 ft (Ex: blue)	1	XF50041000

Table 2. Parts for Figure 2, "Parts - LR01 - Image 1" (Continued)

Item Number	Description	Qty.	Part Number
	Miscellaneous		
11	Reinforced strap wrench	1	XF50050100
12a	Kit PTFE cone + 3 gaskets FKM/FPM	1	XF50050200
12b	Kit PTFE cone + 3 gaskets EPDM	1	XF50050300
12c	Kit PTFE cone + 3 gaskets Kalrez 6375	1	XF50050400
12d	Kit PTFE cone + 3 gaskets PFA	1	XF50050500
13	Viator RS232/HART®	1	XF50020600
14	Viator USB/HART®	1	XF50020700
15	EMI/RFI shielding gasket	1	XF50050600
16	EMI/RFI shielding gasket Wave horn PTFE	1	XF50050700
17	USB/24 VDC power supply	1	XF50020800
18	Weather protection Compact - Std/Exia/Ex ic	1	XF5005080F
19	Weather protection Compact - Exd/cFMus	1	XF5005090F
20	Weather protection Remote	1	XF5005100F

LR54 Parts List

Model Code - LR54 (a)

<u>Description</u>	<u>Model</u>
LR54 Free Space Radar - 24 GHz Radar (FMCW) level transmitter for liquids in basic process applications up to 16 barg (232 psig) and +130°C (+266°F)	LR54
Type Extended Standard	4
Version 24 GHz Frequency Modulated Continuous Wave (FMCW)	F
Regional Directives	
Europe	1
China	2
USA	3
Canada	4
Brazil	5
Australia	6
Russia	A
Kazakhstan	B
Belarus	C
Worldwide	W
Ex Approvals	
Without	0
ATEX II 1/2 G Ex ia IIC T6...T4 Ga/Gb + II 1/2 D Ex ia IIIC T85°C...T100°C or T85°C...T130°C Da/Db	1
ATEX II 1/2 GD Ex db ia IIC T6...T4 Ga/Gb + II 1/2 D Ex ia tb IIIC T85°C...T100°C or T85°C...T130°C Da/Db	2
ATEX II 3 G Ex ic IIC T6...T4 Gc + II 3 D Ex ic IIIC T85°C...T100°C or T85°C...T130°C Dc	3
ATEX II 3 G Ex nA T6...T4 Gc	4
NEPSI Ex ia IIC T6...T4 Ga/Gb + Ex iaD 20/21 T85°C...T100°C or T85°C...T130°C IP6X	5
NEPSI Ex d ia IIC T6...T4 Ga/Gb + Ex iaD tD A20/A21 T85°C...T100°C or T85°C...T130°C IP6X	6
cQPSus IS CL I/II/III DIV 1 GP A-G + CL I Z0 AEx ia/Ex ia IIC T6...T4 Ga + Z20 AEx ia/Ex ia IIIC T85°C...T100°C or T85°C...T130°C Da	A
cQPSus XP-IS/DIP CL I DIV 1 GP A-G + CL I Z1 AEx db ia/Ex db ia IIC T6...T4 Gb + Z21 AEx ia tb/Ex ia tb IIIC T85°C...T100°C or T85°C...T130°C Db	B
cQPSus NI CL I/II/III DIV 2 GP A-G + CL I Z2 AEx nA/Ex nA IIC T6...T4 Gc	C
IECEX Ex ia IIC T6...T4 Ga/Gb + Ex ia IIIC T85°C...T100°C or T85°C...T130°C Da/Db	K
IECEX Ex d ia IIC T6...T4 Ga/Gb + Ex ia tb IIIC T85°C...T100°C or T85°C...T130°C Da/Db	L
Construction	
Without	0
CRN/SME B31.3 1	2
NACE (MR0175/MR0103/ISO 15156)	3
ASME B31.3	4
CRN/ASME B31.3 + NACE (MR0175/MR0103/ISO 15156)	A
NACE (MR0175/MR0103/ISO 15156) + ASME B31.3	B
Converter Version (Housing Material/IP Class)	
C/Compact version (aluminum housing – IP66/68 0.1 barg)	2
C/Compact version (stainless steel housing – IP66/68 0.1 barg)	3
Outputs	
2-wire/4...20mA passive HART®	1
FOUNDATION™ fieldbus (2 wire)	6
PROFIBUS PA (2 wire)	7
Cable Entry/Cable Gland	
M20x1.5/without	1
M20x1.5/1 x plastic + plug	2
M20x1.5/1 x nickel-plated brass + plug	3
M20x1.5/1 x stainless steel + plug	4
M20x1.5/1 x M12 (4-pin connector) + plug	5
M20x1.5/2 x plastic	6
M20x1.5/2 x nickel-plated brass	7
M20x1.5/2 x stainless steel	8
M20x1.5/2 x M12 (4-pin connector)	A
½ NPT nickel-plated brass adapter/without	C
½ NPT nickel-plated brass adapter/1 x nickel-plated brass + plug	D

Model Code - LR54 (a) (Continued)

Description	Model
½ NPT stainless steel adapter/1 × stainless steel + plug	E
½ NPT nickel-plated brass adapter/2 × nickel-plated brass	F
½ NPT stainless steel adapter/2 × stainless steel	G
Display	
Without (no display, cover without window)	0
Plug-in display (cover with window)	4
Display - Documentation Language	
English	1
German	2
French	3
Italian	4
Spanish	5
Portuguese	6
Japanese	7
Chinese (simplified)	8
Russian	A
Czech	B
Turkish	C
Polish	D
Process Conditions (Pressure, Temperature, Material and Remarks)/Process Seal	
-1...16 barg (-14.5...232 psig)/-40°C...+130°C (-40°F...+266°F)/FKM/FPM	1
-1...16 barg (-14.5...232 psig)/-50°C...+130°C (-58°F...+266°F)/EPDM	2
-1...16 barg (-14.5...232 psig)/-20°C...+130°C (-4°F...+266°F)/Kalrez® 6375	3
Antennas (Antenna Type, Material, Radio Approval)	
Metallic Horn, DN40 (1.5")/316L/TLPR	1
Metallic Horn, D50 (2")/316L/TLPR	2
Metallic Horn, DN65 (2.5") for BM26 W/316L/TLPR	3
Metallic Horn, DN80 (3")/316L/TLPR/LPR	4
Metallic Horn, DN100 (4")/316L/LPR	5
Metallic Horn, DN150 (6")/316L/LPR	6
Metallic Horn, DN200 (8")/316L/LPR	7
Drop, DN80 (3")/PP/LPR	A
Drop, DN100 (4")/PP/LPR	B
Drop, DN150 (6")/PP/LPR	C
Antenna Extension/Flange Plate Protection	
Without	0
Extension	
105 mm (4")/316L	1
210 mm (8")/316L	2
315 mm (12")/316L	3
420 mm (17")/316L	4
525 mm (21")/316L	5
630 mm (24")/316L for Metallic Horn antennas	6
735 mm (29")/316L for Metallic Horn antennas	7
840 mm (33")/316L for Metallic Horn antennas	8
945 mm (37")/316L for Metallic Horn antennas	A
1050 mm (41")/316L for Metallic Horn antennas	B
Flange Plate Protection	
Without/with flange plate protection	D
Extension with Flange and Extension Protections	
105 mm (4") for PP Drop antenna/PP	E
210 mm (8") for PP Drop antenna/PP	F
315 mm (12") for PP Drop antenna/PP	G
420 mm (17") for PP Drop antenna/PP	H
525 mm (21") for PP Drop antenna/PP	K

Model Code - LR54 (a) (Continued)

Description	Model
Process Connection: Size/Pressure Class/Flange Face Finish	
ISO 228 (threaded connection)	
G 1 A	FPO
G 1½ A	GPO
ASME B1.20.1 (threaded connection)	
1 NPT	FAO
1 1/2 NPT	GAO
Low-pressure EN flange (screwed to G 1½ A connection)	
DN50 PN01	HC7
DN80 PN01	LC7
DN100 PN01	MC7
DN150 PN01	PC7
DN200 PN01	RC7
Low-pressure ASME flange (screwed to 1½ NPT connection)	
2" 150 lb, 15 psig max.	H1B
3" 150 lb, 15 psig max.	L1B
4" 150 lb, 15 psig max.	M1B
6" 150 lb, 15 psig max.	P1B
8" 150 lb, 15 psig max.	R1B
EN 1092-1 flange	
DN40 PN40 – Type B1	GG1
DN50 PN16 – Type B1	HE1
DN50 PN40 – Type B1	HG1
DN80 PN16 – Type B1	LE1
DN80 PN40 – Type B1	LG1
DN100 PN16 – Type B1	ME1
DN100 PN40 – Type B1	MG1
DN150 PN16 – Type B1	PE1
DN150 PN40 – Type B1	PG1
DN200 PN16 – Type B1	RE1
ASME B16.5 flange	
1½" 150 lb RF	G1A
1½" 300 lb RF	G2A
2" 150 lb RF	H1A
2" 300 lb RF	H2A
3" 150 lb RF	L1A
3" 300 lb RF	L2A
4" 150 lb RF	M1A
4" 300 lb RF	M2A
6" 150 lb RF	P1A
6" 300 lb RF	P2A
8" 150 lb RF	R1A
JIS B2220 flange	
40A JIS 10K RF	GUP
50A JIS 10K RF	HUP
80A JIS 10K RF	LUP
100A JIS 10K RF	MUP
150A JIS 10K RF	PUP
200A JIS 10K RF	RUP
Alternative Flange Facing	
EN 1092-1 flange	
Type A (Flat Face)	7
ASME B16.5 flange	
FF (Flat Face)	B
Calibration Certificate	
Without: Accuracy ±2 mm (±0.08")	0
Calibration certificate ±2 mm (±0.08") up to 10 m (32.81 ft), 2 points	1
Calibration certificate ±2 mm (±0.08") up to 10 m (32.81 ft), 5 points	2
Calibration certificate ±2 mm (±0.08") up to 10 m (32.81 ft), 5 points specified by the customer min. ≥ 400 mm (16")	3

Model Code - LR54 (a) (Continued)

Description	Model
Options	
Without	0
Purging system with 1/8 NPTF connection	2
Accessories/Tag Plate	
Without	0
Weather protection	1
Stainless steel tag plate (18 characters max.)	3
Weather protection + Stainless steel tag plate (18 characters max.)	6

a. For additional ordering and model code information, please refer to www.buyautomation.com.

Parts - LR54

Figure 3. LR54 - Image 1

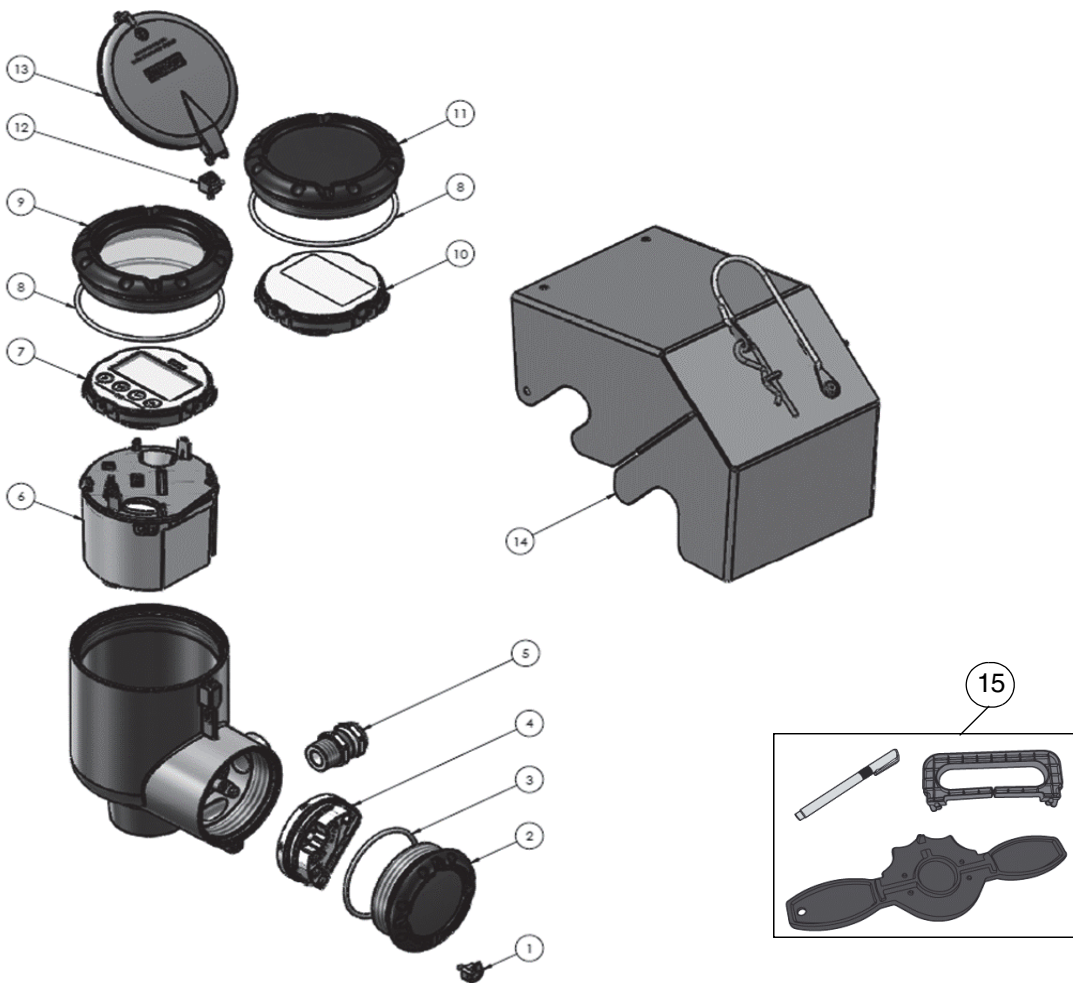


Table 3. Parts for Figure 3, "LR54 - Image 1"

Item Number	Description	Qty.	Part Number
1	Cover Stop	See items 2 & 11.	
2	Terminal Compartment Cover		
	Aluminum terminal compartment cover (2) + gasket (3) + cover stop (1)	1	XFDX01050F
	SST (non-Ex or Exia) terminal compartment cover (2) + gasket (3) + cover stop (1)	1	XFDX01060F
3	O-Ring Gaskets Set (3 & 8) for Terminal Compartment Cover (2)	10	XFDX010800
		Also see item 2.	
4	Terminal Cartridge		
	Terminal cartridge Non Ex (GP)/Ex (NI)/Ex i (IS) (4)	1	XFDX040100
	Terminal cartridge Exd (XP) (4)	1	XFDX040200
5	Cable Gland/Cable Entry		
	Cable gland/M20 x 1.5 plastic black non-Ex (GP)/Ex (NI) (5)	10	XFDX050100
	Cable gland/M20 x 1.5 plastic blue Ex i (IS) (5)	10	XFDX050200
	Cable gland/M20 x 1.5 nickel-plated brass Ex d (5)	5	XFDX050300
	Cable gland/M20 x 1.5 stainless steel Ex d (5)	2	XFDX050400
	Cable gland/M20 x 1.5 nickel-plated brass non-Ex (GP)/Ex (NI)/Ex i (IS) (5)	5	XFDX050500
	Cable gland/M20 x 1.5 stainless steel non-Ex (GP)/Ex (NI)/Ex i (IS) (5)	2	XFDX050600
	Connector M12 x 1 (4-pin connector) IP67 (5)	2	XFDX050700
	Cable entry/1/2 NPT nickel-plated brass non-Ex (GP)/Ex (NI)/Exi (IS) (5)	5	XFDX050800
	Cable entry/1/2 NPT nickel-plated brass Ex d (5)	5	XFDX050900
	Cable entry/1/2 NPT nickel-plated brass cQPSus (5)	5	XFDX051000
	Cable entry/1/2 NPT stainless steel non-Ex (GP)/Ex (NI)/Ex i (IS) (5)	2	XFDX051100
	Cable entry/1/2 NPT stainless steel Ex d (5)	2	XFDX051200
	Cable entry/1/2 NPT stainless steel cQPSus (5)	2	XFDX051300
6	Signal Converter, HART 2-wire (6)	1	XFDA03010F
7	Display		
	Display module (7)	1	XFDX02010F
	Display module (7) including aluminum cover for display (9) + gasket (8)	1	XFDX02020F
	Display module (7) including SST (non-EX) cover for display (9) + gasket (8)	1	XFDX02030F
8	O-Ring Gasket Set (3 & 8) for Display Cover (9) or Blind Cover (11)	10	XFDX010800
		Also see items 7, 9 & 11.	
9	Display Cover		
	Aluminum cover for display (9) + gasket (8)	1	XFDX01030F
	SST (non-Ex or Exia) cover for display (9) + gasket (8)	1	XFDX01040F
		Also see item 7.	
10	Dummy module (10)	1	XFDX02040F
11	Blind Cover		
	Aluminum blind cover (11) + gasket (8) + cover stop (1)	1	XFDX01010F
	SST (non-Ex or Exia) blind cover (11) + gasket (8) + cover stop (1)	1	XFDX01020F
12	Hinge	See item 13.	
13	Plastic display sunshade (13) including holder (12)	10	XFDX01070F
14	Weather Protection	1	XFDX060100
15	Tool kit (15): Display extractor, bar magnet and cover wrench	10	XFDX060400

Figure 4. LR54 - Image 2

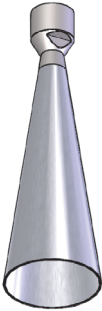
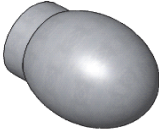

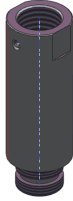
16	 <p>Metallic Horn</p>	 <p>PP Drop</p>
17	 <p>Gaskets for Drop Antenna</p>	
18	 <p>316 L Antenna Extensions</p>	

Table 4. Parts for Figure 4, "LR54 - Image 2"

Item Number	Description	Qty.	Part Number
16	Antennas		
	Metallic Horn, DN 40 1.5"	1	XFDX070100
	Metallic Horn, DN 50 2"	1	XFDX070200
	Metallic Horn, DN 65 2.5"	1	XFDX070300
	Metallic Horn, DN 80 3"	1	XFDX070400
	Metallic Horn, DN 100 4"	1	XFDX070500
	Metallic Horn, DN 150 6"	1	XFDX070600
	Metallic Horn, DN 200 8"	1	XFDX070700
	PP Drop, DN 80 3"	1	XFDX070800
	PP Drop, DN100 4"	1	XFDX070900
	PP Drop, DN150 6"	1	XFDX071000
17	Gaskets for Drop Antennas		
	FKM/FPM for Drop antenna or antenna extension	10	XFDX080100
	EPDM for Drop antenna or antenna extension	10	XFDX080200
	Kalrez® 6375 for Drop antenna or antenna extension	2	XFDX080300
18	316 L Antenna Extensions		
	105 mm 4"	1	XFDX090100
	210 mm 8"	1	XFDX090200
	315 mm 12"	1	XFDX090300
	420 mm 17"	1	XFDX090400
	525 mm 21"	1	XFDX090500
	630 mm 25"	1	XFDX090600
	735 mm 29"	1	XFDX090700
	840 mm 33"	1	XFDX090800
	945 mm 37"	1	XFDX090900
	1050 mm 41"	1	XFDX091000

Figure 5. LR54 - Image 3: Accessories

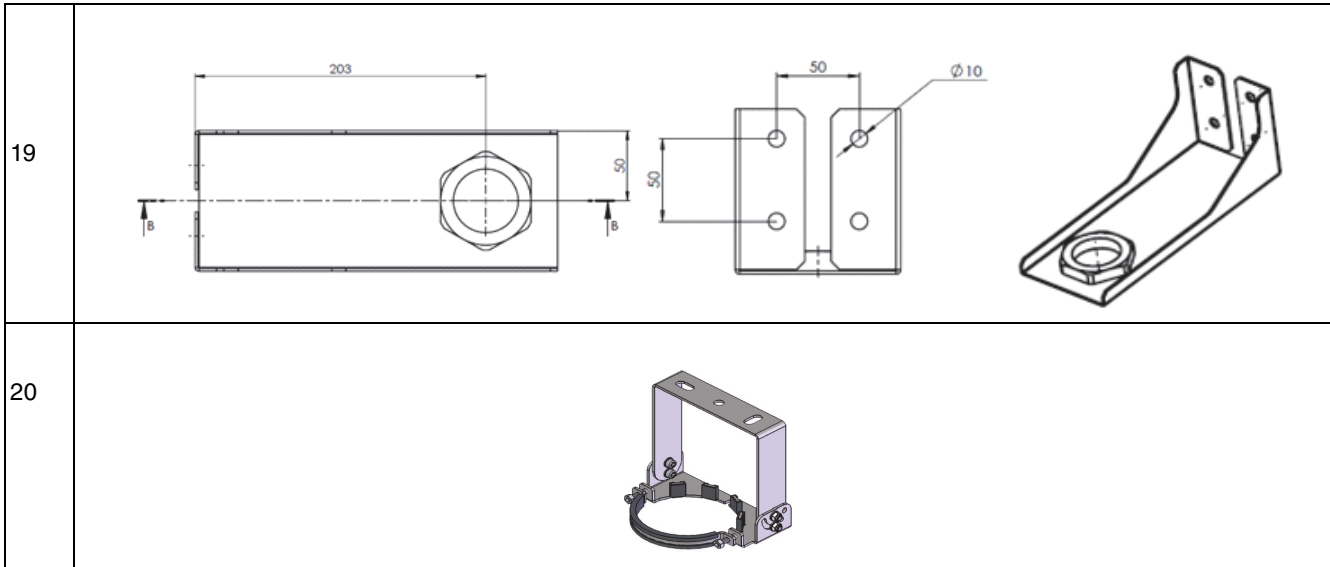


Table 5. Parts for Figure 5, “LR54 - Image 3: Accessories”

Item Number	Description	Qty.	Part Number
19	Wall Mounted Bracket made of 316L (L-shaped) - for G 1½ Transmitter Process Connection (fixing elements (for example, bolts) not included)	1	XF70000059
20	316L Hanging, Orientable Bracket (45°)	1	XF70000067

LR64 Parts List

Model Code - LR64 (a)

Description	Model
LR64 Free Space Radar - 24 GHz Radar (FMCW) level transmitter for solids from granulates to rocks up to 16 barg (232 psig) and +130°C (+266°F)	LR64
Type Extended Standard	4
Version 24 GHz Frequency Modulated Continuous Wave (FMCW)	F
Regional Directives Europe China USA Canada Brazil Australia Russia Kazakhstan Belarus Worldwide	1 2 3 4 5 6 A B C W
Ex Approvals Without ATEX II 1/2 G Ex ia IIC T6...T4 Ga/Gb + II 1/2 D Ex ia IIIC T85°C...T100°C or T85°C...T130°C Da/Db ATEX II 1/2 GD Ex db ia IIC T6...T4 Ga/Gb + II 1/2 D Ex ia tb IIIC T85°C...T100°C or T85°C...T130°C Da/Db ATEX II 3 G Ex ic IIC T6...T4 Gc + II 3 D Ex ic IIIC T85°C...T100°C or T85°C...T130°C Dc ATEX II 3 G Ex nA T6...T4 Gc NEPSI Ex ia IIC T6...T4 Ga/Gb + Ex iaD 20/21 T85°C...T100°C or T85°C...T130°C IP6X NEPSI Ex d ia IIC T6...T4 Ga/Gb + Ex iaD tD A20/A21 T85°C...T100°C or T85°C...T130°C IP6X cQPSus IS CL I/II/III DIV 1 GP A-G + CL I Z0 AEx ia/Ex ia IIC T6...T4 Ga + Z20 AEx ia/Ex ia IIIC T85°C...T100°C or T85°C...T130°C Da cQPSus XP-IS/DIP CL I DIV 1 GP A-G + CL I Z1 AEx db ia/Ex db ia IIC T6...T4 Gb + Z21 AEx ia tb/Ex ia tb IIIC T85°C...T100°C or T85°C...T130°C Db cQPSus NI CL I/II/III DIV 2 GP A-G + CL I Z2 AEx nA/Ex nA IIC T6...T4 Gc IECEX Ex ia IIC T6...T4 Ga/Gb + Ex ia IIIC T85°C...T100°C or T85°C...T130°C Da/Db IECEX Ex d ia IIC T6...T4 Ga/Gb + Ex ia tb IIIC T85°C...T110°C or T85°C...T130°C Da/Db IECEX Ex ic IIC T6...T4 Gc + Ex ic IIIC T85°C...T100°C or T85°C...T130°C Dc	0 1 2 3 4 5 6 A B C K L M
Construction Without CRN/ASME B31.3 ASME B31.3	0 2 4
Converter Version (Housing Material/IP Class) C/Compact version (aluminum housing – IP66/68 0.1 barg) C/Compact version (stainless steel housing – IP66/68 0.1 barg)	2 3
Outputs 2-wire/4...20mA passive HART® FOUNDATION™ fieldbus (2 wire) PROFIBUS PA (2 wire)	1 6 7
Cable Entry/Cable Gland M20 × 1.5/without M20 × 1.5/1 × plastic + plug M20 × 1.5/1 × nickel-plated brass + plug M20 × 1.5/1 × stainless steel + plug M20 × 1.5/1 × M12 (4-pin connector) + plug M20 × 1.5/2 × plastic M20 × 1.5/2 × nickel-plated brass M20 × 1.5/2 × stainless steel M20 × 1.5/2 × M12 (4-pin connector) ½ NPT nickel-plated brass adapter/without ½ NPT nickel-plated brass adapter/1 × nickel-plated brass + plug ½ NPT stainless steel adapter/1 × stainless steel + plug	1 2 3 4 5 6 7 8 A C D E

Model Code - LR64 (a) (Continued)

Description	Model
½ NPT nickel-plated brass adapter/2 × nickel-plated brass	F
½ NPT stainless steel adapter/2 × stainless steel	G
Display	
Without (no display, cover without window)	0
Plug-in display (cover with window)	4
Display - Documentation Language	
English	1
German	2
French	3
Italian	4
Spanish	5
Portuguese	6
Japanese	7
Chinese (simplified)	8
Russian	A
Czech	B
Turkish	C
Polish	D
Process Conditions (Pressure, Temperature, Material and Remarks)/Process Seal	
Without	0
-1...16 barg (-14.5...232 psig)/-40°C...+130°C (-40°F...+266°F)/FKM/FPM	1
-1...16 barg (-14.5...232 psig)/-50°C...+130°C (-58°F...+266°F)/EPDM	2
-1...16 barg (-14.5...232 psig)/-20°C...+130°C (-4°F...+266°F)/Kalrez® 6375	3
Antennas (Antenna Type, Material, Radio Approval)	
Without	0
Metallic Horn, DN80 (3")/316L/LPR	4
Metallic Horn, DN100 (4")/316L/LPR	5
Metallic Horn, DN150 (6")/ 316L/LPR	6
Metallic Horn, DN200 (8")/316L/LPR	7
Drop, DN80 (3")/PP/LPR	A
Drop, DN100 (4")/PP/LPR	B
Drop, DN150 (6")/PP/LPR	C
Drop, DN80 (3")/PTFE/LPR	E
Drop, DN100 (4")/PTFE/LPR	F
Drop, DN150 (6")/PTFE/LPR	G
Antenna Extension/Flange Plate Protection	
Without	0
Extension	
105 mm (4")/316L	1
210 mm (8")/316L	2
315 mm (12")/316L	3
420 mm (17")/316L	4
525 mm (21")/316L	5
630 mm (24")/316L for Metallic Horn antennas	6
735 mm (29")/316L for Metallic Horn antennas	7
840 mm (33")/316L for Metallic Horn antennas	8
945 mm (37")/316L for Metallic Horn antennas	A
1050 mm (41")/316L for Metallic Horn antennas	B
Process Connection: Size/Pressure Class/Flange Face Finish	
Without	000
ISO 228 (threaded connection)	
G 1 A	FP0
G 1 1/2 A	GP0
ASME B1.20.1 (threaded connection)	
1 NPT	FA0
1 1/2 NPT	GA0
Low-pressure EN flange (screwed to 1½ A connection)	
DN80 PN01	LC7
DN100 PN01	MC7
DN150 PN01	PC7
DN200 PN01	RC7

MODEL CODE - LR64

Model Code - LR64 (a) (Continued)

Description	Model
Low-pressure ASME flange (screwed to 1½ NPT connection)	
3" 150 lb, 15 psig max.	L1B
4" 150 lb, 15 psig max.	M1B
6" 150 lb, 15 psig max.	P1B
8" 150 lb, 15 psig max.	R1B
EN 1092-1 flange	
DN80 PN10 – Type B1	LD1
DN80 PN16 – Type B1	LE1
DN80 PN40 – Type B1	LG1
DN100 PN10 – Type B1	MD1
DN100 PN16 – Type B1	ME1
DN100 PN40 – Type B1	MG1
DN150 PN10 – Type B1	PD1
DN150 PN16 – Type B1	PE1
DN150 PN40 – Type B1	PG1
DN200 PN10 – Type B1	RD1
DN200 PN16 – Type B1	RE1
ASME B16.5 flange	
3" 150 lb RF	L1A
3" 300 lb RF	L2A
4" 150 lb RF	M1A
4" 300 lb RF	M2A
6" 150 lb RF	P1A
6" 300 lb RF	P2A
8" 150 lb RF	R1A
JIS B2220 flange	
80A JIS 10K RF	LUP
100A JIS 10K RF	MUP
150A JIS 10K RF	PUP
200A JIS 10K RF	RUP
Alternative Flange Facing	
EN 1092-1 flange	
Type A (Flat Face)	7
ASME B16.5 flange	
FF (Flat Face)	B
Calibration Certificate	
Without: Accuracy ±2 mm (±0.08")	0
Calibration certificate ±2 mm (±0.08") up to 10 m (32.81 ft), 2 points	1
Calibration certificate ±2 mm (±0.08") up to 10 m (32.81 ft), 5 points	2
Calibration certificate ±2 mm (±0.08") up to 10 m (32.81 ft), 5 points specified by the customer min. ≥ 400 mm (16")	3
Options	
Without	0
Purging system with 1/8 NPTF connection	2
Accessories/Tag Plate	
Without	0
Weather protection	1
Stainless steel tag plate (18 characters max.)	3
Weather protection + Stainless steel tag plate (18 characters max.)	6

a. For additional ordering and model code information, please refer to www.buyautomation.com.

Parts - LR64

Figure 6. LR64 - Image 1

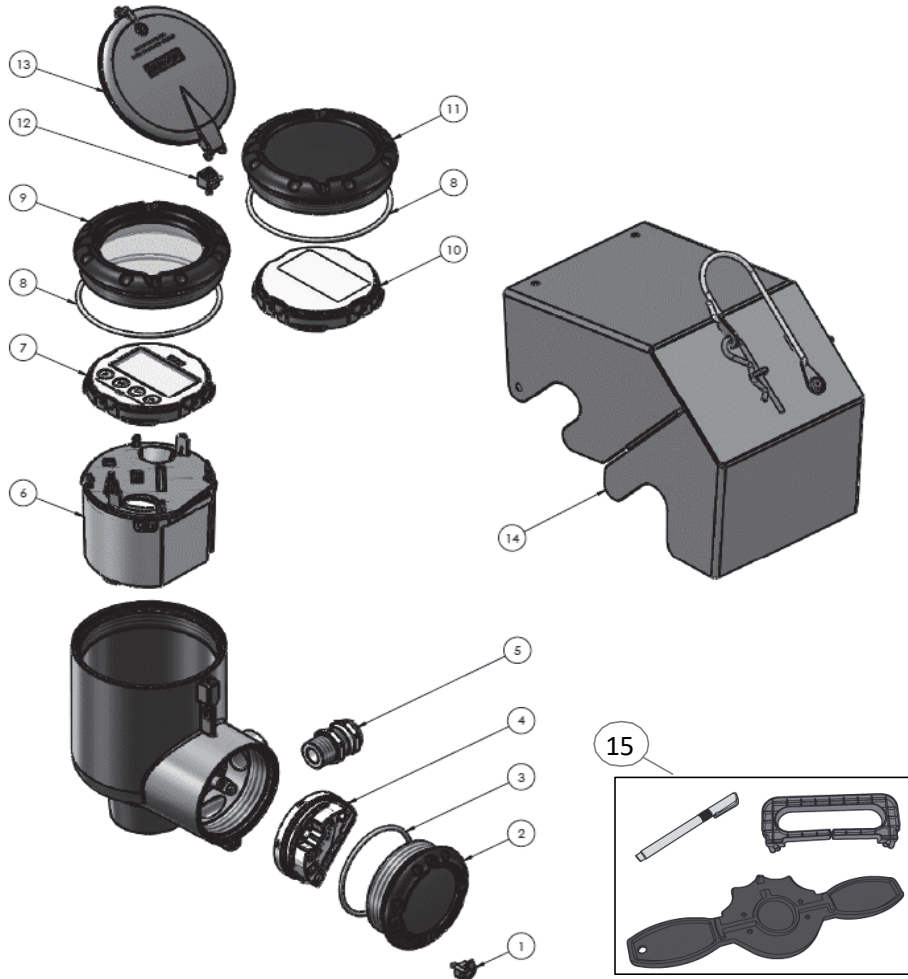


Table 6. Parts for Figure 6, "LR64 - Image 1"

Item Number	Description	Qty.	Part Number
1	Cover Stop	See items 2 & 11.	
2	Terminal Compartment Cover		
	Aluminum terminal compartment cover (2) + gasket (3) + cover stop (1)	1	XFDX01050F
	SST (non-Ex or Exia) terminal compartment cover (2)+ gasket (3) + cover stop (1)	1	XFDX01060F
3	O-Ring Gaskets Set (3 & 8) for Terminal Compartment Cover (2)	10	XFDX010800
		Also see item 2.	
4	Terminal Cartridge		
	Terminal cartridge Non Ex (GP)/Ex (NI)/Ex i (IS) (4)	1	XFDX040100
	Terminal cartridge Exd (XP) (4)	1	XFDX040200
5	Cable gland/Cable entry		
	Cable gland/M20 x 1.5 plastic black non-Ex (GP)/Ex (NI) (5)	10	XFDX050100
	Cable gland/M20 x 1.5 plastic blue Ex i (IS) (5)	10	XFDX050200
	Cable gland/M20 x 1.5 nickel-plated brass Ex d (5)	5	XFDX050300
	Cable gland/M20 x 1.5 stainless steel Ex d (5)	2	XFDX050400
	Cable gland/M20 x 1.5 nickel-plated brass non-Ex (GP)/Ex (NI)/Ex i (IS) (5)	5	XFDX050500
	Cable gland/M20 x 1.5 stainless steel non-Ex (GP)/Ex (NI)/Ex i (IS) (5)	2	XFDX050600
	Connector M12 x 1 (4-pin connector) IP67 (5)	2	XFDX050700
	Cable entry/1/2 NPT nickel-plated brass non-Ex (GP)/Ex (NI)/Ex i (IS) (5)	5	XFDX050800
	Cable entry/1/2 NPT nickel-plated brass Ex d (5)	5	XFDX050900
	Cable entry/1/2 NPT nickel-plated brass cQPSus (5)	5	XFDX051000
	Cable entry/1/2 NPT stainless steel non-Ex (GP)/Ex (NI)/Ex i (IS) (5)	2	XFDX051100
	Cable entry/1/2 NPT stainless steel Ex d (5)	2	XFDX051200
	Cable entry/1/2 NPT stainless steel cQPSus (5)	2	XFDX051300
	6	Signal Converter, HART 2-wire (6)	1
7	Display		
	Display module (7)	1	XFDX02010F
	Display module (7) including aluminum cover for display (9) + gasket (8)	1	XFDX02020F
	Display module (7) including SST (non-EX) cover for display (9) + gasket (8)	1	XFDX02030F
8	O-Ring Gaskets Set (3 & 8) for Display Cover (9) or Blind Cover (11)	10	XFDX010800
		Also see items 7, 9 & 11.	
9	Display Cover		
	Aluminum cover for display (9) + gasket (8)	1	XFDX01030F
	SST (non-Ex or Exia) cover for display (9)+ gasket (8)	1	XFDX01040F
		Also see item 7.	
10	Dummy module (10)	1	XFDX02040F
11	Blind Cover		
	Aluminum blind cover (11) + gasket (8) + cover stop (1)	1	XFDX01010F
	SST (non-Ex or Exia) blind cover (11) + gasket (8) + cover stop (1)	1	XFDX01020F
12	Hinge	See item 13.	
13	Plastic display sunshade (13) including holder (12)	10	XFDX01070F
14	Weather protection (14)	1	XFDX060100
15	Tool kit (15): Display extractor, bar magnet and cover wrench	10	XFDX060400

Figure 7. LR64 - Image 2

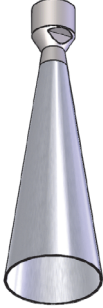
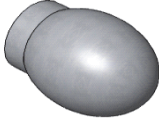
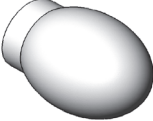


16	 <p>Metallic Horn</p>	 <p>PP Drop</p>	 <p>PTFE Drop</p>
17	 <p>Gaskets for Drop Antenna</p>		
18	 <p>316 L Antenna Extensions</p>		

Table 7. Parts for Figure 7, "LR64 - Image 2"

Item Number	Description	Qty.	Part Number
16	Antennas		
	Metallic Horn, DN 80 3"	1	XFDX070400
	Metallic Horn, DN 100 4"	1	XFDX070500
	Metallic Horn, DN 150 6"	1	XFDX070600
	Metallic Horn, DN 200 8"	1	XFDX070700
	PP Drop, DN 80 3"	1	XFDX070800
	PP Drop, DN 100 4"	1	XFDX070900
	PP Drop, DN 150 6"	1	XFDX071000
	PTFE Drop, DN 80 3"	1	XFDX071100
	PTFE Drop, DN 100 4"	1	XFDX071200
	PTFE Drop, DN 150 6"	1	XFDX071300
17	Gaskets for Drop antennas		
	FKM/FPM for Drop antenna or antenna extension	5	XFDX080100
	EPDM for Drop antenna or antenna extension	5	XFDX080200
	Kalrez® 6375 for Drop antenna or antenna extension	5	XFDX080300
18	316 L Antenna extensions		
	105 mm 4"	1	XFDX090100
	210 mm 8"	1	XFDX090200
	315 mm 12"	1	XFDX090300
	420 mm 17"	1	XFDX090400
	525 mm 21"	1	XFDX090500
	630 mm 25"	1	XFDX090600
	735 mm 29"	1	XFDX090700
	840 mm 33"	1	XFDX090800
	945 mm 37"	1	XFDX090900
	1050 mm 41"	1	XFDX091000

Figure 8. LR64 - Image 3: Accessories

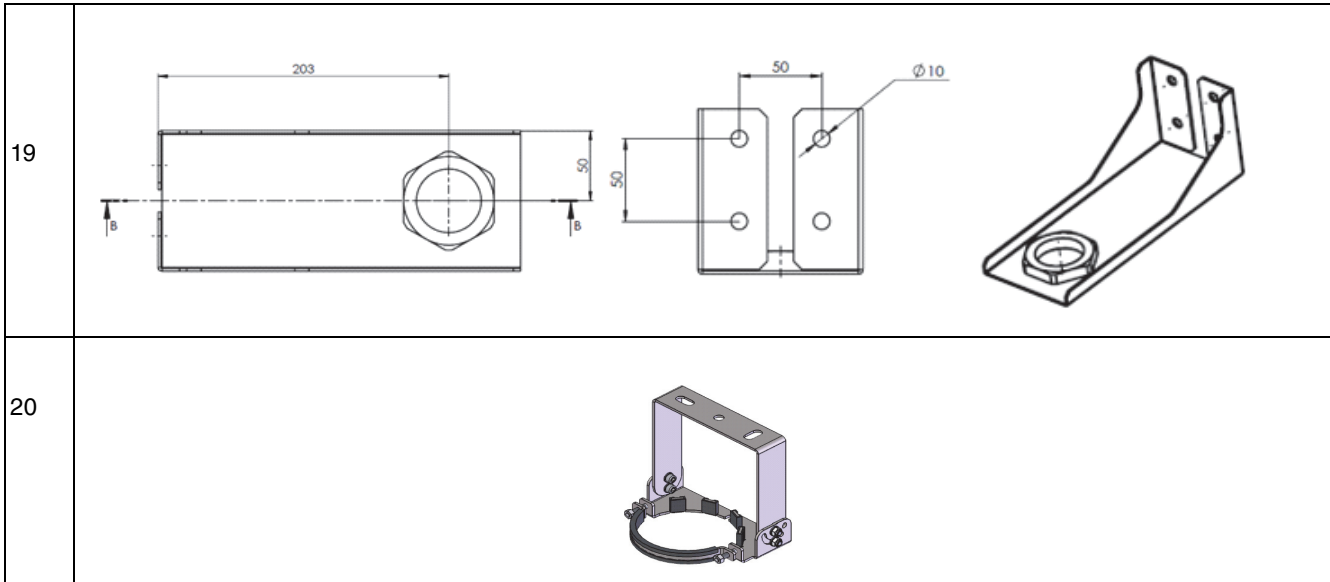


Table 8. Parts for Figure 8, "LR64 - Image 3: Accessories"

Item Number	Description	Qty.	Part Number
19	Wall Mounted Bracket made of 316L (L-shaped) - for G 1½ Transmitter Process Connection (fixing elements (for example, bolts) not included)	1	XF70000059
20	316L Hanging, Orientable Bracket (45°)	1	XF70000067

LR65 Parts List

Model Code - LR65 (a)

<u>Description</u>	<u>Model</u>
LR65 Free Space Radar - 80 GHz Radar (FMCW) level transmitter for powders and dusty atmosphere up to 40 barg (580 psig) and +150°C (+302°F)	LR65
Type Extended Standard	4
Version 80 GHz Frequency Modulated Continuous Wave (FMCW)	F
Regional Directives	
Europe	1
China	2
USA	3
Canada	4
Brazil	5
Australia	6
Russia	A
Kazakhstan	B
Belarus	C
Worldwide	W
Ex Approvals	
Without	0
ATEX II 1/2 G Ex ia IIC T6...T3 Ga/Gb + II 1/2 D Ex ia IIIC T85°C...T150°C or T85°C...T200°C Da/Db	1
ATEX II 1/2 GD Ex db ia IIC T6...T3 Ga/Gb + II 1/2 D Ex ia tb IIIC T85°C...T150°C or T85°C...T200°C Da/Db	2
ATEX II 3 G Ex ic IIC T6...T3 Gc + II 3 D Ex ic IIIC T85°C...T150°C or T85°C...T200°C Dc	3
ATEX II 3 G Ex nA T6...T3 Gc	4
NEPSI Ex ia IIC T6...T3 Ga/Gb + Ex iaD 20/21 T85°C...T150°C or T85°C...T200°C IP6X	5
NEPSI Ex d ia IIC T6...T3 Ga/Gb + Ex iaD tD A20/A21 T85°C...T150°C or T85°C...T200°C IP6X	6
cQPSus IS CL I/II/III DIV 1 GP A-G + CL I Z0 AEx ia/Ex ia IIC T6...T3 Ga + Z20 AEx ia/Ex ia IIIC T85°C...T150°C or T85°C...T200°C Da	A
cQPSus XP-IS/DIP CL I DIV 1 GP A-G + CL I Z1 AEx db ia/Ex db ia IIC T6...T3 Gb + Z21 AEx ia tb/Ex ia tb IIIC T85°C...T150°C or T85°C...T200°C Db	B
cQPSus NI CL I/II/III DIV 2 GP A-G + CL I Z2 AEx nA/Ex nA IIC T6...T3 Gc	C
IECEX Ex ia IIC T6...T3 Ga/Gb + Ex ia IIIC T85°C...T150°C or T85°C...T200°C Da/Db	K
IECEX Ex d ia IIC T6...T3 Ga/Gb + Ex ia tb IIIC T85°C...T150°C or T85°C...T200°C Da/Db	L
IECEX Ex ic IIC T6...T3 Gc + Ex ic IIIC T85°C...T150°C or T85°C...T200°C Dc	M
Construction	
Without	0
CRN/ASME B31.3	1
ASME B31.3	4
Converter Version (Housing Material/IP Class)	
C/Compact version (aluminum housing – IP66/68 0.1 barg)	2
C/Compact version (stainless steel housing – IP66/68 0.1 barg)	3
Outputs	
2-wire/4...20mA passive HART®	1
FOUNDATION™ fieldbus (2 wire)	6
PROFIBUS PA (2 wire)	7
Cable Entry/Cable Gland	
M20 × 1.5/without	1
M20 × 1.5/1 × plastic + plug	2
M20 × 1.5/1 × nickel-plated brass + plug	3
M20 × 1.5/1 × stainless steel + plug	4
M20 × 1.5/1 × M12 (4-pin connector) + plug	5
M20 × 1.5/2 × plastic	6
M20 × 1.5/2 × nickel-plated brass	7
M20 × 1.5/2 × stainless steel	8
M20 × 1.5/2 × M12 (4-pin connector)	A
½ NPT nickel-plated brass adapter/without	C
½ NPT nickel-plated brass adapter/1 × nickel-plated brass + plug	D
½ NPT stainless steel adapter/1 × stainless steel + plug	E

Model Code - LR65 (a) (Continued)

Description	Model
½ NPT nickel-plated brass adapter/2 × nickel-plated brass	F
½ NPT stainless steel adapter/2 × stainless steel	G
Display	
Without (no display, cover without window)	0
Plug-in display (cover with window)	4
Display - Documentation Language	
English	1
German	2
French	3
Italian	4
Spanish	5
Portuguese	6
Japanese	7
Chinese (simplified)	8
Russian	A
Czech	B
Turkish	C
Polish	D
Process Conditions (Pressure, Temperature, Material and Remarks)/Process Seal	
-1...40 barg (-14.5...580 psig)/-40°C...+150°C (-40°F...+302°F)/FKM/FPM	1
-1...40 barg (-14.5...580 psig)/-50°C...+150°C (-58°F...+302°F)/EPDM	2
-1...40 barg (-14.5...580 psig)/-40°C...+200°C (-40°F...+392°F)/FKM/FPM	4
Antennas (Antenna Type, Material, Radio Approval)	
Lens, DN40 (1 ½")/PEEK/LPR	3
Lens, DN70 (2 ¾")/PEEK/LPR	4
Antenna Extension	
Without	0
316L/112 mm (4.4")	1
Process Connection: Size/Pressure Class/Flange Face Finish	
ISO 228 (threaded connection)	
G 1 ½ A	FP0
G 3 A	GP0
ASME B1.20.1 (threaded connection)	
1 ½ NPT	GA0
3 NPT	LA0
Low-pressure EN flange (screwed to G 1½ A connection)	
DN50 PN01	HC7
DN80 PN01	LC7
DN100 PN01	MC7
DN150 PN01	PC7
DN200 PN01	RC7
Low-pressure ASME flange (screwed to 1½ NPT connection)	
2" 150 lb, 15 psig max.	H1B
3" 150 lb, 15 psig max.	L1B
4" 150 lb, 15 psig max.	M1B
6" 150 lb, 15 psig max.	P1B
8" 150 lb, 15 psig max.	R1B
EN 1092-1 flange	
DN50 PN40 – Type B1	HG1
DN80 PN10 – Type B1	LD1
DN80 PN16 – Type B1	LE1
DN80 PN40 – Type B1	LG1
DN100 PN10 – Type B1	MD1
DN100 PN16 – Type B1	ME1
DN100 PN40 – Type B1	MG1
DN150 PN10 – Type B1	PD1
DN150 PN16 – Type B1	PE1
DN150 PN40 – Type B1	PG1
DN200 PN10 – Type B1	RD1
DN200 PN16 – Type B1	RE1
DN200 PN40 – Type B1	RG1

Model Code - LR65 (a) (Continued)

Description	Model
ASME B16.5 flange	
2" 150 lb RF	H1A
2" 300 lb RF	H2A
3" 150 lb RF	L1A
3" 300 lb RF	L2A
4" 150 lb RF	M1A
4" 300 lb RF	M2A
6" 150 lb RF	P1A
6" 300 lb RF	P2A
8" 150 lb RF	R1A
8" 200 lb RF	R2A
JIS B2220 flange	
50A JIS 10K RF	HUP
80A JIS 10K RF	LUP
100A JIS 10K RF	MUP
150A JIS 10K RF	PUP
200A JIS 10K RF	RUP
Alternative Flange Facing	
EN 1092-1 flange	
Type A (Flat Face)	7
ASME B16.5 flange	
FF (Flat Face)	B
Calibration Certificate	
Without: Accuracy ± 2 mm (± 0.08 ")	0
Calibration certificate ± 2 mm (± 0.08 ") up to 10 m (32.81 ft), 2 points	1
Calibration certificate ± 2 mm (± 0.08 ") up to 10 m (32.81 ft), 5 points	2
Calibration certificate ± 2 mm (± 0.08 ") up to 10 m (32.81 ft), 5 points specified by the customer min. ≥ 400 mm (16")	3
Options	
Without	0
Purging system	2
Accessories/Tag Plate	
Without	0
Weather protection	1
Stainless steel tag plate (18 characters max.)	3
Weather protection + Stainless steel tag plate (18 characters max.)	6

a. For additional ordering and model code information, please refer to www.buyautomation.com.

Parts - LR65

Figure 9. LR65 - Image 1

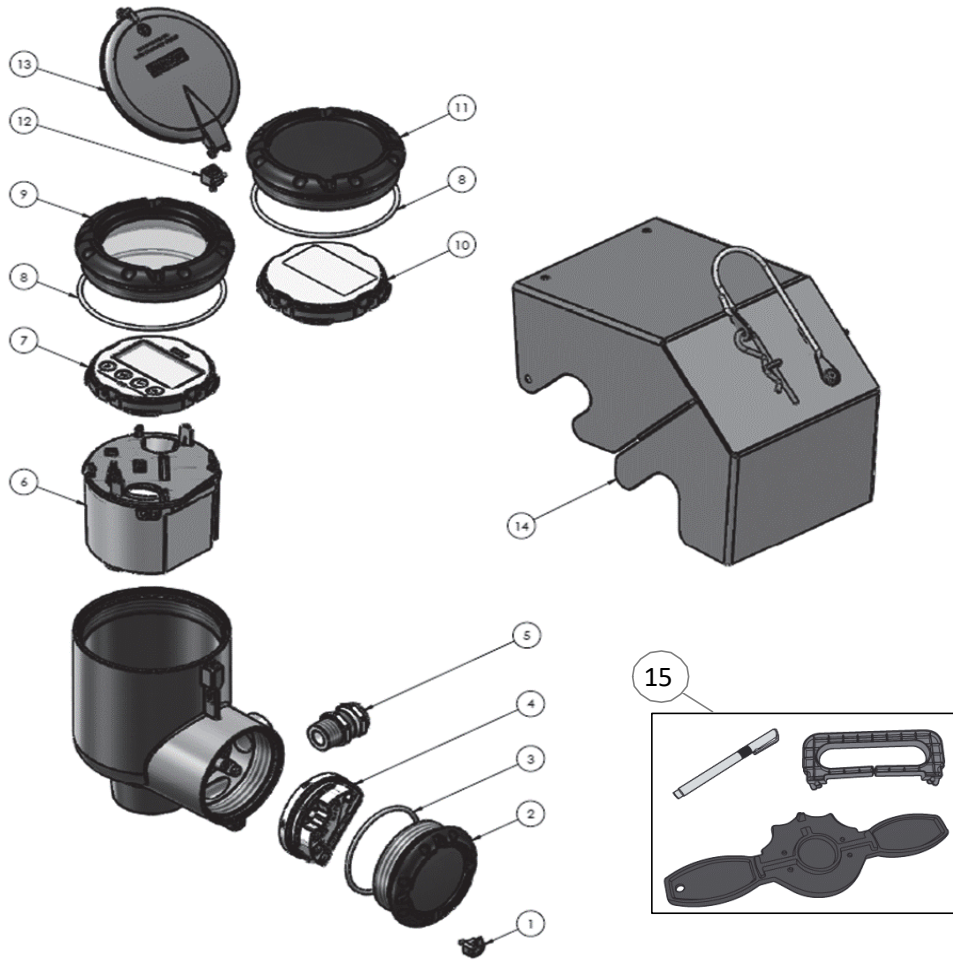


Table 9. Parts for Figure 9, "LR65 - Image 1"

Item Number	Description	Qty.	Part Number
1	Cover Stop	See items 2 & 11.	
2	Terminal Compartment Cover		
	Aluminum terminal compartment cover (2) + gasket (3) + cover stop (1)	1	XFDX01050F
	SST (non-Ex or Exia) terminal compartment cover (2) + gasket (3) + cover stop (1)	1	XFDX01060F
3	O-Ring Gaskets Set (3 & 8) for Terminal Compartment Cover (2)	10	XFDX010800
		Also see item 2.	
4	Terminal Cartridge		
	Terminal cartridge Non Ex (GP)/Ex (NI)/Ex i (IS) (4)	1	XFDX040100
	Terminal cartridge Exd (XP) (4)	1	XFDX040200
5	Cable gland/Cable entry		
	Cable gland/M20 x 1.5 plastic black non-Ex (GP)/Ex (NI) (5)	10	XFDX050100
	Cable gland/M20 x 1.5 plastic blue Ex i (IS) (5)	10	XFDX050200
	Cable gland/M20 x 1.5 nickel-plated brass Ex d (5)	5	XFDX050300
	Cable gland/M20 x 1.5 stainless steel Ex d (5)	2	XFDX050400
	Cable gland/M20 x 1.5 nickel-plated brass non-Ex (GP)/Ex (NI)/Ex i (IS) (5)	5	XFDX050500
	Cable gland/M20 x 1.5 stainless steel non-Ex (GP)/Ex (NI)/Ex i (IS) (5)	2	XFDX050600
	Connector M12 x 1 (4-pin connector) IP67 (5)	2	XFDX050700
	Cable entry/1/2 NPT nickel-plated brass non-Ex (GP)/Ex (NI)/Exi (IS) (5)	5	XFDX050800
	Cable entry/1/2 NPT nickel-plated brass Ex d (5)	5	XFDX050900
	Cable entry/1/2 NPT nickel-plated brass cQPSus (5)	5	XFDX051000
	Cable entry/1/2 NPT stainless steel non-Ex (GP)/Ex (NI)/Ex i (IS) (5)	2	XFDX051100
	Cable entry/1/2 NPT stainless steel Ex d (5)	2	XFDX051200
	Cable entry/1/2 NPT stainless steel cQPSus (5)	2	XFDX051300
6	Signal Converter, HART 2-wire (6)	1	XFDA03010F
7	Display		
	Display module (7)	1	XFDX02010F
	Display module (7) including aluminum cover for display (9) + gasket (8)	1	XFDX02020F
	Display module (7) including SST (non-EX) cover for display (9) + gasket (8)	1	XFDX02030F
8	O-Ring Gaskets Set (3 & 8) for Display Cover (9) or Blind Cover (11)	10	XFDX010800
		Also see items 7, 9 & 11.	
9	Display Cover		
	Aluminum cover for display (9) + gasket (8)	1	XFDX01030F
	SST (non-Ex or Exia) cover for display (9)+ gasket (8)	1	XFDX01040F
		Also see item 7.	
10	Dummy module (10)	1	XFDX02040F
11	Blind Cover		
	Aluminum blind cover (11) + gasket (8) + cover stop (1)	1	XFDX01010F
	SST (non-Ex or Exia) blind cover (11) + gasket (8) + cover stop (1)	1	XFDX01020F
12	Hinge	See item 13.	
13	Plastic display sunshade (13) including holder (12)	10	XFDX01070F
14	Weather protection (14)	1	XFDX060100
15	Tool kit (15): Display extractor, bar magnet and cover wrench	10	XFDX060400

Figure 10. LR65 - Image 2: Accessories

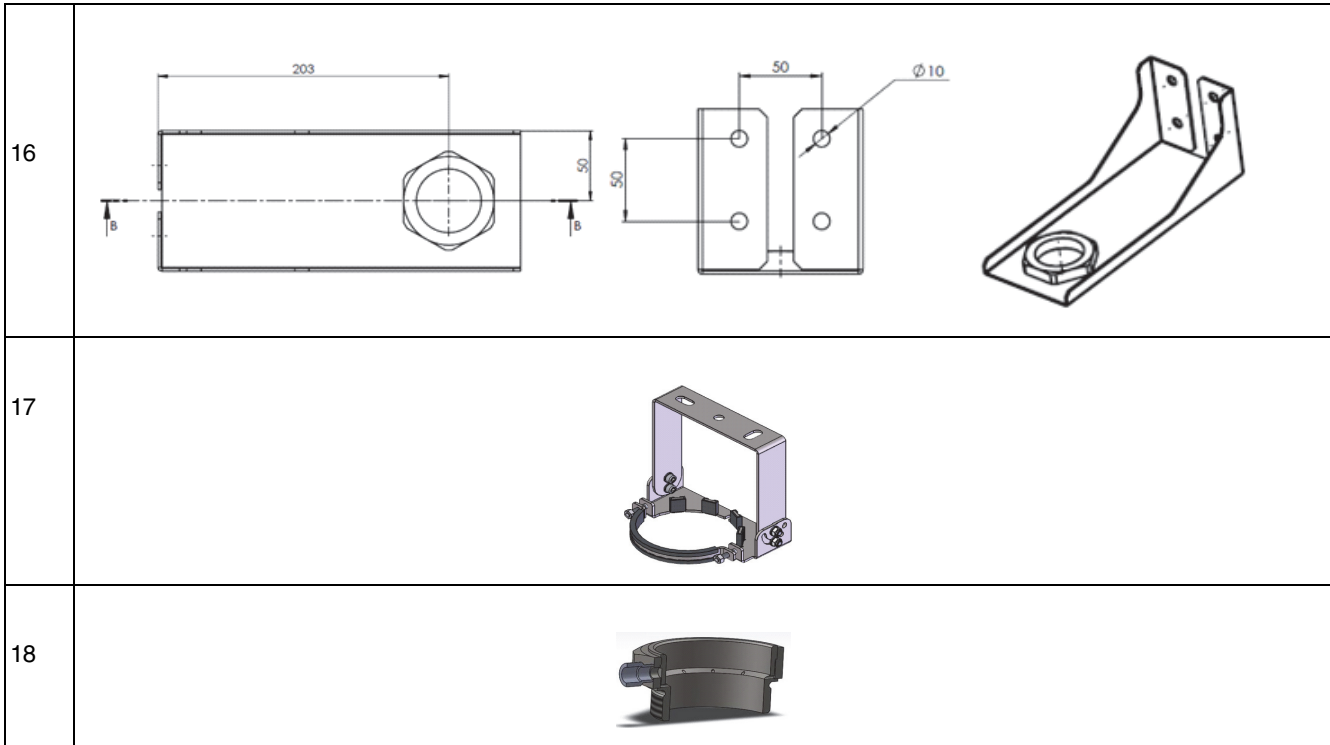


Table 10. Parts for Figure 10, “LR65 - Image 2: Accessories”

Item Number	Description	Qty.	Part Number
16	Wall Mounted Bracket made of 316L (L-shaped) - for G 1½ Transmitter Process Connection (fixing elements (for example, bolts) not included)	1	XF70000059
17	316L Hanging, Orientable Bracket (45°)	1	XF70000067
18	Purging System Adapter		
	Purging System Adapter for G 1½ Transmitter Process Connection	1	XF70000068
	Purging System Adapter for 1½ NPT Transmitter Process Connection	1	XF70000N68
	Purging System Adapter for G 3 Transmitter Process Connection	1	XF70000069
	Purging System Adapter for 3 NPT Transmitter Process Connection	1	XF70000N69

LR74 Parts List

Model Code - LR74 (a)

Description	Model
LR74 Free Space Radar - 24 GHz Radar (FMCW) level transmitter for agitated and corrosive liquids up to 100 barg (1450 psig) and +200°C (+392°F)	LR74
Type Extended Standard	4
Version 24 GHz Frequency Modulated Continuous Wave (FMCW)	F
Regional Directives	
Europe	1
China	2
USA	3
Canada	4
Brazil	5
Australia	6
Russia	A
Kazakhstan	B
Belarus	C
Worldwide	W
Ex Approvals	
Without	0
ATEX II 1/2 G Ex ia IIC T6...T3 Ga/Gb + II 1/2 D Ex ia IIIC T85°C...T150°C or T85°C...T200°C Da/Db	1
ATEX II 1/2 GD Ex db ia IIC T6...T3 Ga/Gb + II 1/2 D Ex ia tb IIIC T85°C...T150°C or T85°C...T200°C Da/Db	2
ATEX II 3 G Ex ic IIC T6...T3 Gc + II 3 D Ex ic IIIC T85°C...T150°C or T85°C...T200°C Dc	3
ATEX II 3 G Ex nA T6...T3 Gc	4
NEPSI Ex ia IIC T6...T3 Ga/Gb + Ex iaD 20/21 T85°C...T150°C or T85°C...T200°C IP6X	5
NEPSI Ex d ia IIC T6...T3 Ga/Gb + Ex iaD tD A20/A21 T85°C...T150°C or T85°C...T200°C IP6X	6
cQPSus IS CL I/II/III DIV 1 GP A-G + CL I Z0 AEx ia/Ex ia IIC T6...T3 Ga + Z20 AEx ia/Ex ia IIIC T85°C...T150°C or T85°C...T200°C Da	A
cQPSus XP-IS/DIP CL I DIV 1 GP A-G + CL I Z1 AEx db ia/Ex db ia IIC T6...T3 Gb + Z21 AEx ia tb/Ex ia tb IIIC T85°C...T150°C or T85°C...T200°C Db	B
cQPSus NI CL I/II/III DIV 2 GP A-G + CL I Z2 AEx nA/Ex nA IIC T6...T3 Gc	C
IECEX Ex ia IIC T6...T3 Ga/Gb + Ex ia IIIC T85°C...T150°C or T85°C...T200°C Da/Db	K
IECEX Ex d ia IIC T6...T3 Ga/Gb + Ex ia tb IIIC T85°C...T150°C or T85°C...T200°C Da/Db	L
IECEX Ex ic IIC T6...T3 Gc + Ex ic IIIC T85°C...T150°C or T85°C...T200°C Dc	M
Construction	
Without	0
CRN/ASME B31.3	2
NACE design (MR0175/MR0103/ISO 15156)	3
ASME B31.3	4
CRN/ASME B31.3 + NACE (MR0175/MR0103/ISO 15156)	A
NACE (MR0175/MR0103/ISO 15156) + ASME B31.3	B
Converter Version (Housing Material/IP Class)	
C/Compact version (aluminum housing – IP66/68 0.1 barg)	2
C/Compact version (stainless steel housing – IP66/68 0.1 barg)	3
Outputs	
2-wire/4...20mA passive HART®	1
FOUNDATION™ fieldbus (2 wire)	6
PROFIBUS PA (2 wire)	7
Cable Entry/Cable Gland	
M20 x 1.5/without	1
M20 x 1.5/1 x plastic + plug	2
M20 x 1.5/1 x nickel-plated brass + plug	3
M20 x 1.5/1 x stainless steel + plug	4
M20 x 1.5/1 x M12 (4-pin connector) + plug	5
M20 x 1.5/2 x plastic	6
M20 x 1.5/2 x nickel-plated brass	7
M20 x 1.5/2 x stainless steel	8
M20 x 1.5/2 x M12 (4-pin connector)	A

Model Code - LR74 (a) (Continued)

Description	Model
½ NPT nickel-plated brass adapter/without	C
½ NPT nickel-plated brass adapter/1 × nickel-plated brass + plug	D
½ NPT stainless steel adapter/1 × stainless steel + plug	E
½ NPT nickel-plated brass adapter/2 × nickel-plated brass	F
½ NPT stainless steel adapter/2 × stainless steel	G
Display	
Without (no display, cover without window)	0
Plug-in display (cover with window)	4
Display - Documentation Language	
English	1
German	2
French	3
Italian	4
Spanish	5
Portuguese	6
Japanese	7
Chinese (simplified)	8
Russian	A
Czech	B
Turkish	C
Polish	D
Process Conditions (Pressure, Temperature, Material and Remarks)/Process Seal	
Without	0
-1...40 barg (-14.5...580 psig)/-40°C...+200°C (-40°F...+392°F)/FKM/FPM	1
-1...40 barg (-14.5...580 psig)/-50°C...+150°C (-58°F...+302°F)/EPDM	2
-1...40 barg (-14.5...580 psig)/-20°C...+200°C (-4°F...+392°F)/Kalrez® 6375	3
-1...40 barg (-14.5...580 psig)/-30°C...+200°C (-22°F...+392°F)/FKM/FPM	5
-1...40 barg (-14.5...580 psig)/-30°C...+150°C (-22°F...+302°F)/EPDM	6
-1...40 barg (-14.5...580 psig)/-20°C...+200°C (-4°F...+392°F)/Kalrez® 6375	7
-1...100 barg (-14.5...1450 psig)/-40°C...+200°C (-40°F...+392°F)/FKM/FPM	A
-1...100 barg (-14.5...1450 psig)/-50°C...+150°C (-58°F...+302°F)/EPDM	B
-1...100 barg (-14.5...1450 psig)/-20°C...+200°C (-4°F...+392°F)/Kalrez® 6375	C
-1...100 barg (-14.5...1450 psig)/-30°C...+200°C (-22°F...+392°F)/FKM/FPM	E
-1...100 barg (-14.5...1450 psig)/-30°C...+150°C (-22°F...+302°F)/EPDM	F
-1...100 barg (-14.5...1450 psig)/-20°C...+200°C (-4°F...+392°F)/Kalrez® 6375	G
Antennas (Antenna Type, Material, Radio Approval)	
Without	0
Metallic Horn, DN40 (1.5")/316L/TLPR	1
Metallic Horn, D50 (2")/316L/TLPR	2
Metallic Horn, DN65 (2.5") for BM26A/316L/TLPR	3
Metallic Horn, DN80 (3")/316L/LPR	4
Metallic Horn, DN100 (4")/316L/LPR	5
Metallic Horn, DN150 (6")/316L/LPR	6
Metallic Horn, DN200 (8")/316L/LPR	7
Drop, DN80 (3")/max. +150°C (+302°F)/PTFE/LPR	E
Drop, DN100 (4")/max. +150°C (+302°F)/PTFE/LPR	F
Drop, DN150 (6")/max. +150°C (+302°F)/PTFE/LPR	G
Drop, DN80 (3")/max. +200°C (+392°F)/PEEK/LPR	K
Antenna Extension/Flange Plate Protection	
Without	0
Extension	
105 mm (4")/316L	1
210 mm (8")/316L	2
315 mm (12")/316L	3
420 mm (17")/316L	4
525 mm (21")/316L	5
630 mm (24")/316L for Metallic Horn antennas	6
735 mm (29")/316L for Metallic Horn antennas	7
840 mm (33")/316L for Metallic Horn antennas	8
945 mm (37")/316L for Metallic Horn antennas	A
1050 mm (41")/316L for Metallic Horn antennas	B

Model Code - LR74 (a) (Continued)

Description	Model
Flange Plate Protection Without/with flange plate protection	D
Extension with Flange and Extension Protections 105 mm (4") for PTFE Drop antenna/PTFE 210 mm (8") for PTFE Drop antenna/PTFE 315 mm (12") for PTFE Drop antenna/PTFE	M N P
Process Connection: Size/Pressure Class/Flange Face Finish	
Without	000
ISO 228 (threaded connection) G 1 1/2 A	GP0
ASME B1.20.1 (threaded connection) 1 1/2 NPT	GA0
Low-pressure flange (screwed to G 1 1/2 A connection) DN50 PN01 DN80 PN01 DN100 PN01 DN150 PN01 DN200 PN01	HC7 LC7 MC7 PC7 RC7
Low-pressure flange (screwed to 1 1/2 NPT connection) 2" 150 lb, 15 psig max. 3" 150 lb, 15 psig max. 4" 150 lb, 15 psig max. 6" 150 lb, 15 psig max. 8" 150 lb, 15 psig max.	H1B L1B M1B P1B R1B
EN 1092-1 flange DN40 PN40 – Type B1 DN40 PN63 – Type B1 DN40 PN100 – Type B1 DN50 PN16 – Type B1 DN50 PN40 – Type B1 DN50 PN63 – Type B1 DN50 PN100 – Type B1 DN80 PN16 – Type B1 DN80 PN40 – Type B1 DN80 PN63 – Type B1 DN80 PN100 – Type B1 DN100 PN16 – Type B1 DN100 PN40 – Type B1 DN100 PN63 – Type B1 DN100 PN100 – Type B1 DN150 PN16 – Type B1 DN150 PN40 – Type B1 DN150 PN63 – Type B1 DN150 PN100 – Type B1 DN200 PN16 – Type B1 DN200 PN40 – Type B1	GG1 GH1 GK1 HE1 HG1 HH1 HK1 LE1 LG1 LH1 LK1 ME1 MG1 MH1 MK1 PE1 PG1 PH1 PK1 RE1 RG1
ASME B16.5 flange 1 1/2" 150 lb RF 1 1/2" 300 lb RF 1 1/2" 600 lb RF 1 1/2" 900 lb RJ 1 1/2" 1500 lb RJ 2" 150 lb RF 2" 300 lb RF 2" 600 lb RF 2" 900 lb RJ 2" 1500 lb RJ 3" 150 lb RF 3" 300 lb RF 3" 600 lb RF 3" 900 lb RF 4" 150 lb RF 4" 300 lb RF 4" 600 lb RF	G1A G2A G3A G4M G5M H1A H2A H3A H4M H5M L1A L2A L3A L4A M1A M2A M3A

Model Code - LR74 (a) (Continued)

Description	Model
4" 900 lb RF	M4A
6" 150 lb RF	P1A
6" 300 lb RF	P2A
8" 150 lb RF	R1A
8" 300 lb RF	R2A
JIS B2220 flange	
40A JIS 10K RF	GUP
50A JIS 10K RF	HUP
80A JIS 10K RF	LUP
100A JIS 10K RF	MUP
150A JIS 10K RF	PUP
200A JIS 10K RF	RUP
Alternative Flange Facing	
EN 1092-1 flange	
Type B2 (surface roughness must be specified in the order)	2
Type C (Tongue)	3
Type D (Groove)	4
Type E (Spigot)	5
Type F (Recess)	6
Type A (Flat Face)	7
ASME B16.5 flange	
FF (Flat Face)	B
RJ (Ring Joint)	M
Calibration Certificate	
Without: Accuracy ± 2 mm (± 0.08 ")	0
Calibration certificate ± 2 mm (± 0.08 ") up to 10 m (32.81 ft), 2 points	1
Calibration certificate ± 2 mm (± 0.08 ") up to 10 m (32.81 ft), 5 points	2
Calibration certificate ± 2 mm (± 0.08 ") up to 10 m (32.81 ft), 5 points specified by the customer min. ≥ 400 mm (16")	3
Options	
Without	0
Heating/Cooling system with G 1/2 connections	1
Purging system with 1/8 NPTF connection	2
Heating/Cooling + purging systems	3
Accessories/Tag Plate	
Without	0
Weather protection	1
Stainless steel tag plate (18 characters max.)	3
Weather protection + Stainless steel tag plate (18 characters max.)	6

a. For additional ordering and model code information, please refer to www.buyautomation.com.

Parts - LR74

Figure 11. LR74 - Image 1

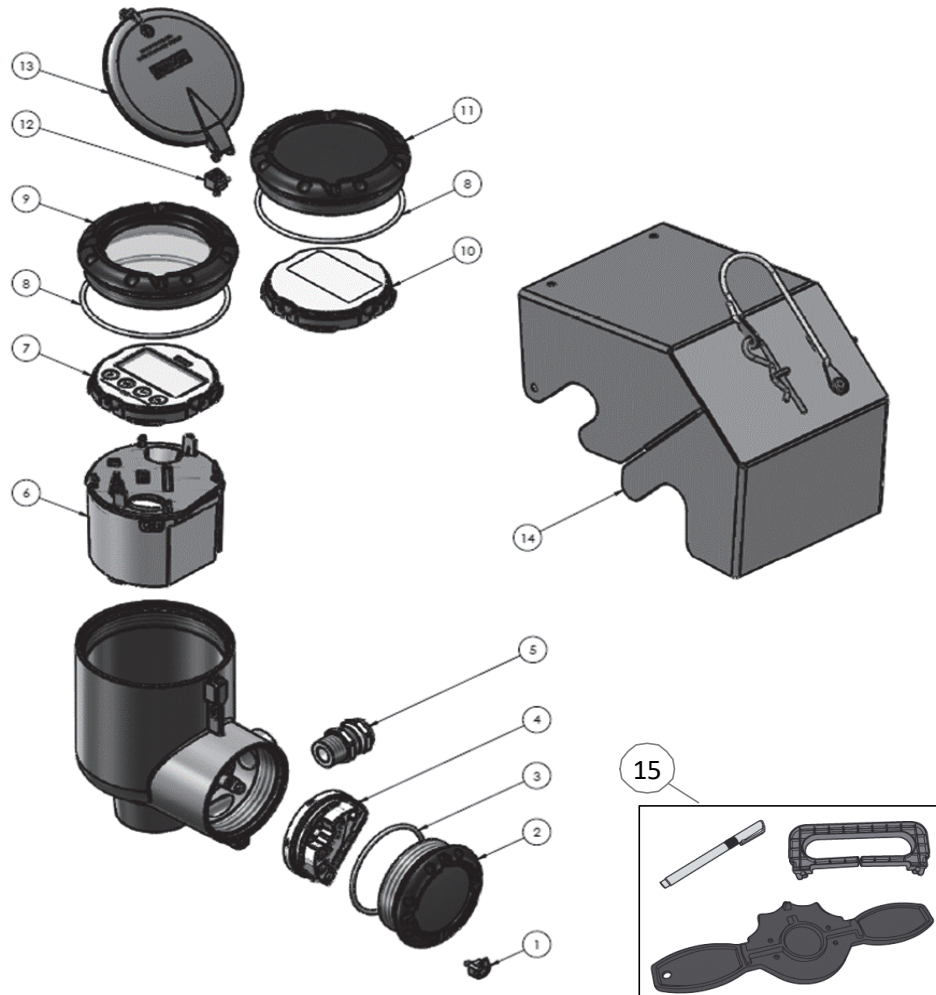


Table 11. Parts for Figure 11, "LR74 - Image 1"

Item Number	Description	Qty.	Part Number
1	Cover Stop	See items 2 & 11.	
2	Terminal Compartment Cover		
	Aluminum terminal compartment cover (2) + gasket (3) + cover stop (1)	1	XFDX01050F
	SST (non-Ex or Exia) terminal compartment cover (2) + gasket (3) + cover stop (1)	1	XFDX01060F
3	O-Ring Gaskets Set (3 & 8) for Terminal Compartment Cover (2)	10	XFDX010800
		Also see item 2.	
4	Terminal cartridge		
	Terminal cartridge Non Ex (GP)/Ex (NI)/Ex i (IS) (4)	1	XFDX040100
	Terminal cartridge Exd (XP) (4)	1	XFDX040200
5	Cable gland/Cable entry		
	Cable gland/M20 x 1.5 plastic black non-Ex (GP)/Ex (NI) (5)	10	XFDX050100
	Cable gland/M20 x 1.5 plastic blue Ex i (IS) (5)	10	XFDX050200
	Cable gland/M20 x 1.5 nickel-plated brass Ex d (5)	5	XFDX050300
	Cable gland/M20 x 1.5 stainless steel Ex d (5)	2	XFDX050400
	Cable gland/M20 x 1.5 nickel-plated brass non-Ex (GP)/Ex (NI)/Ex i (IS) (5)	5	XFDX050500
	Cable gland/M20 x 1.5 stainless steel non-Ex (GP)/Ex (NI)/Ex i (IS) (5)	2	XFDX050600
	Connector M12 x 1 (4-pin connector) IP67 (5)	2	XFDX050700
	Cable entry/1/2 NPT nickel-plated brass non-Ex (GP)/Ex (NI)/Exi (IS) (5)	5	XFDX050800
	Cable entry/1/2 NPT nickel-plated brass Ex d (5)	5	XFDX050900
	Cable entry/1/2 NPT nickel-plated brass cQPSus (5)	5	XFDX051000
	Cable entry/1/2 NPT stainless steel non-Ex (GP)/Ex (NI)/Ex i (IS) (5)	2	XFDX051100
	Cable entry/1/2 NPT stainless steel Ex d (5)	2	XFDX051200
	Cable entry/1/2 NPT stainless steel cQPSus (5)	2	XFDX051300
6	Signal Converter, HART 2-wire (6)	1	XFDA03010F
7	Display		
	Display module (7)	1	XFDX02010F
	Display module (7) including aluminum cover for display (9) + gasket (8)	1	XFDX02020F
	Display module (7) including SST (non-EX) cover for display (9) + gasket (8)	1	XFDX02030F
8	O-Ring Gasket Set (3 & 8) for Display Cover (9) or Blind Cover (11)	10	XFDX010800
		Also see items 7, 9 & 11.	
9	Display Cover		
	Aluminum cover for display (9) + gasket (8)	1	XFDX01030F
	SST (non-Ex or Exia) cover for display (9) + gasket (8)	1	XFDX01040F
		Also see item 7.	
10	Dummy module (10)	1	XFDX02040F
11	Blind Cover		
	Aluminum blind cover (11) + gasket (8) + cover stop (1)	1	XFDX01010F
	SST (non-Ex or Exia) blind cover (11) + gasket (8) + cover stop (1)	1	XFDX01020F
12	Hinge	See item 13.	
13	Plastic display sunshade (13) including holder (12)	10	XFDX01070F
14	Weather protection (14)	1	XFDX060100
15	Tool kit (15): Display extractor, bar magnet and cover wrench	10	XFDX060400

Figure 12. LR74 - Image 2

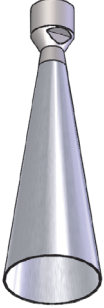

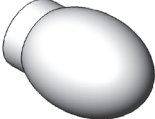


16	 <p data-bbox="570 625 716 653">Metallic Horn</p>	 <p data-bbox="829 632 956 659">PEEK Drop</p>	 <p data-bbox="1081 632 1208 659">PTFE Drop</p>
17	 <p data-bbox="756 806 1027 833">Gaskets for Drop Antenna</p>		
18	 <p data-bbox="756 1115 1027 1142">316 L Antenna Extensions</p>		

Table 12. Parts for Figure 12, "LR74 - Image 2"

Item Number	Description	Qty.	Part Number
16	Antennas		
	Metallic Horn, DN 80 3"	1	XFDX070400
	Metallic Horn, DN 100 4"	1	XFDX070500
	Metallic Horn, DN 150 6"	1	XFDX070600
	Metallic Horn, DN 200 8"	1	XFDX070700
	PEEK Drop, DN 80 3"	1	XFDX071400
	PTFE Drop, DN 80 3"	1	XFDX071100
	PTFE Drop, DN 100 4"	1	XFDX071200
	PTFE Drop, DN 150 6"	1	XFDX071300
17	Gaskets for Drop antennas		
	FKM/FPM for Drop antenna or antenna extension	5	XFDX080100
	EPDM for Drop antenna or antenna extension	5	XFDX080200
	Kalrez® 6375 for Drop antenna or antenna extension	5	XFDX080300
18	316 L Antenna extensions		
	105 mm 4"	1	XFDX090100
	210 mm 8"	1	XFDX090200
	315 mm 12"	1	XFDX090300
	420 mm 17"	1	XFDX090400
	525 mm 21"	1	XFDX090500
	630 mm 25"	1	XFDX090600
	735 mm 29"	1	XFDX090700
	840 mm 33"	1	XFDX090800
	945 mm 37"	1	XFDX090900
	1050 mm 41"	1	XFDX091000

Figure 13. LR74 - Image 3: Accessories

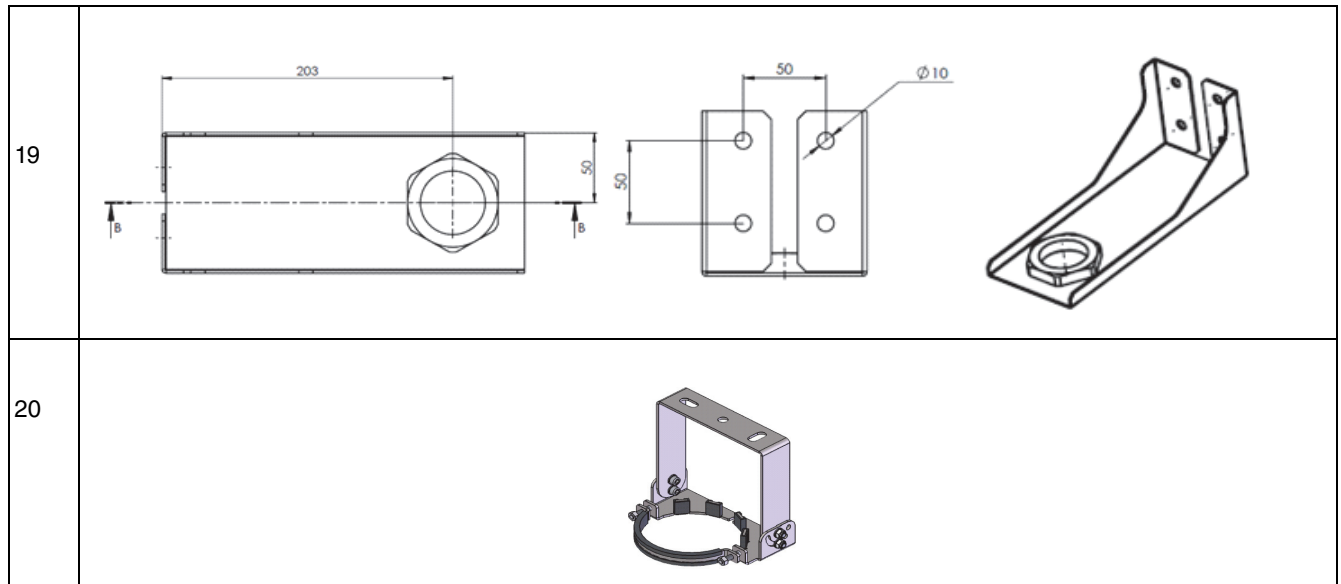


Table 13. Parts for Figure 13, “LR74 - Image 3: Accessories”

Item Number	Description	Qty.	Part Number
19	Wall Mounted Bracket made of 316L (L-shaped) - for G 1½ Transmitter Process Connection (fixing elements (for example, bolts) not included)	1	XF70000059
20	316L Hanging, Orientable Bracket (45°)	1	XF70000067

LR75 Parts List

Model Code - LR75 (a)

Description	Model
LR75 Free Space Radar - 80 GHz Radar (FMCW) level transmitter for liquids in narrow tanks with internal obstructions up to 40 barg (580 psig) and +200°C (+392°F)	LR75
Type Extended Standard	4
Version 80 GHz Frequency Modulated Continuous Wave (FMCW)	F
Regional Directives	
Europe	1
China	2
USA	3
Canada	4
Brazil	5
Australia	6
Russia	A
Kazakhstan	B
Belarus	C
Worldwide	W
Ex Approvals	
Without	0
ATEX II 1/2 G Ex ia IIC T6...T3 Ga/Gb + II 1/2 D Ex ia IIIC T85°C...T150°C or T85°C...T200°C Da/Db	1
ATEX II 1/2 GD Ex db ia IIC T6...T3 Ga/Gb + II 1/2 D Ex ia tb IIIC T85°C...T150°C or T85°C...T200°C Da/Db	2
ATEX II 3 G Ex ic IIC T6...T3 Gc + II 3 D Ex ic IIIC T85°C...T150°C or T85°C...T200°C Dc	3
ATEX II 3 G Ex nA T6...T3 Gc	4
NEPSI Ex ia IIC T6...T3 Ga/Gb + Ex iaD 20/21 T85°C...T150°C or T85°C...T200°C IP6X	5
NEPSI Ex d ia IIC T6...T3 Ga/Gb + Ex iaD tD A20/A21 T85°C...T150°C or T85°C...T200°C IP6X	6
cQPSus IS CL I/II/III DIV 1 GP A-G + CL I Z0 AEx ia/Ex ia IIC T6...T3 Ga + Z20 AEx ia/Ex ia IIIC T85°C...T150°C or T85°C...T200°C Da	A
cQPSus XP-IS/DIP CL I DIV 1 GP A-G + CL I Z1 AEx db ia/Ex db ia IIC T6...T3 Gb + Z21	B
AEx ia tb/Ex ia tb IIIC T85°C...T150°C or T85°C...T200°C Db	
cQPSus NI CL I/II/III DIV 2 GP A-G + CL I Z2 AEx nA/Ex nA IIC T6...T3 Gc	C
IECEX Ex ia IIC T6...T3 Ga/Gb + Ex ia IIIC T85°C...T150°C or T85°C...T200°C Da/Db	K
IECEX Ex d ia IIC T6...T3 Ga/Gb + Ex ia tb IIIC T85°C...T150°C or T85°C...T200°C Da/Db	L
IECEX Ex ic IIC T6...T3 Gc + Ex ic IIIC T85°C...T150°C or T85°C...T200°C Dc	M
Construction	
Without	0
CRN/ASME B31.3	2
NACE (MR0175/MR0103/ISO 15156)	3
ASME B31.3	4
CRN/ASME B31.3 + NACE (MR0175/MR0103/ISO 15156)	A
NACE (MR0175/MR0103/ISO 15156) + ASME B31.3	B
Converter Version (Housing Material/IP Class)	
C/Compact version (aluminum housing – IP66/68 0.1 barg)	2
C/Compact version (stainless steel housing – IP66/68 0.1 barg)	3
Outputs	
2-wire/4...20mA passive HART®	1
FOUNDATION™ fieldbus (2 wire)	6
PROFIBUS PA (2 wire)	7
Cable Entry/Cable Gland	
M20 × 1.5/without	1
M20 × 1.5/1 × plastic + plug	2
M20 × 1.5/1 × nickel-plated brass + plug	3
M20 × 1.5/1 × stainless steel + plug	4
M20 × 1.5/1 × M12 (4-pin connector) + plug	5
M20 × 1.5/2 × plastic	6
M20 × 1.5/2 × nickel-plated brass	7
M20 × 1.5/2 × stainless steel	8
M20 × 1.5/2 × M12 (4-pin connector)	A

Model Code - LR75 (a) (Continued)

<u>Description</u>	<u>Model</u>
½ NPT nickel-plated brass adapter/without	C
½ NPT nickel-plated brass adapter/1 × nickel-plated brass + plug	D
½ NPT stainless steel adapter/1 × stainless steel + plug	E
½ NPT nickel-plated brass adapter/2 × nickel-plated brass	F
½ NPT stainless steel adapter/2 × stainless steel	G
Display	
Without (no display, cover without window)	0
Plug-in display (cover with window)	4
Display - Documentation Language	
English	1
German	2
French	3
Italian	4
Spanish	5
Portuguese	6
Japanese	7
Chinese (simplified)	8
Russian	A
Czech	B
Turkish	C
Polish	D
Process Conditions (Pressure, Temperature, Material and Remarks)/Process Seal	
-1...40 barg (-14.5...580 psig)/-40°C...+150°C (-40°F...+302°F)/FKM/FPM	1
-1...40 barg (-14.5...580 psig)/-50°C...+150°C (-58°F...+302°F)/EPDM	2
-1...40 barg (-14.5...580 psig)/-20°C...+150°C (-4°F...+302°F)/Kalrez® 6375	3
-1...40 barg (-14.5...580 psig)/-50°C...+150°C (-58°F...+302°F)/PEEK	4
-1...40 barg (-14.5...580 psig)/-40°C...+200°C (-40°F...+392°F)/FKM/FPM	5
-1...40 barg (-14.5...580 psig)/-20°C...+200°C (-4°F...+392°F)/Kalrez® 6375	6
-1...40 barg (-14.5...580 psig)/-50°C...+200°C (-58°F...+392°F)/PEEK	7
Antennas (Antenna Type, Material, Radio Approval)	
Lens, DN20 (¾")/PEEK/TLPR – for ¾" threaded connection	1
Lens, DN25 (1")/PEEK/TLPR – for 1" threaded connection	2
Lens, DN40 (1½")/PEEK/LPR – for 1½" threaded connection and flanges	3
Lens, DN70 (2¾")/PEEK/LPR – for 3" threaded connection and flanges	4
Antenna Extension/Flange Plate Protection	
Without	0
112 mm (4.4")/Without flange plate protection/316L	1
Without antenna extension/With flange plate protection/PEEK	A
Process Connection: Size/Pressure Class/Flange Face Finish	
ISO 228 (threaded connection)	
G ¾ A	EP0
G 1 A	FP0
G 1½ A	GP0
G 3 A	LP0
ASME B1.20.1 (threaded connection)	
¾ NPT	EA0
1 NPT	FA0
1½ NPT	GA0
3 NPT	LA0
Low-pressure EN flange (screwed to G 1½ A connection)	
DN50 PN01	HC7
DN80 PN01	LC7
DN100 PN01	MC7
DN150 PN01	PC7
DN200 PN01	RC7
Low-pressure ASME flange (screwed to 1½ NPT connection)	
2" 150 lb, 15 psig max.	H1B
3" 150 lb, 15 psig max.	L1B
4" 150 lb, 15 psig max.	M1B
6" 150 lb, 15 psig max.	P1B
8" 150 lb, 15 psig max.	R1B

Model Code - LR75 (a) (Continued)

Description	Model
EN 1092-1 flange	
DN50 PN40 – Type B1	HG1
DN80 PN10 – Type B1	LD1
DN80 PN16 – Type B1	LE1
DN80 PN40 – Type B1	LG1
DN100 PN10 – Type B1	MD1
DN100 PN16 – Type B1	ME1
DN100 PN40 – Type B1	MG1
DN150 PN10 – Type B1	PD1
DN150 PN16 – Type B1	PE1
DN150 PN40 – Type B1	PG1
DN200 PN10 – Type B1	RD1
DN200 PN16 – Type B1	RE1
DN200 PN40 – Type B1	RG1
ASME B16.5 flange	
2" 150 lb RF	H1A
2" 300 lb RF	H2A
3" 150 lb RF	L1A
3" 300 lb RF	L2A
4" 150 lb RF	M1A
4" 300 lb RF	M2A
6" 150 lb RF	P1A
6" 300 lb RF	P2A
8" 150 lb RF	R1A
8" 300 lb RF	R2A
JIS B2220 flange	
50A JIS 10K RF	HUP
80A JIS 10K RF	LUP
00A JIS 10K RF	MUP
150A JIS 10K RF	PUP
200A JIS 10K RF	RUP
Alternative Flange Facing	
EN 1092-1 flange	
Type A (Flat Face)	7
ASME B16.5 flange	
FF (Flat Face)	B
Calibration Certificate	
Without: Accuracy ± 2 mm (± 0.08 ")	0
Calibration certificate ± 2 mm (± 0.08 ") up to 10 m (32.81 ft), 2 points	1
Calibration certificate ± 2 mm (± 0.08 ") up to 10 m (32.81 ft), 5 points	2
Calibration certificate ± 2 mm (± 0.08 ") up to 10 m (32.81 ft), 5 points specified by the customer min. ≥ 400 mm (16")	3
Options	
Without	0
Purging system	2
Accessories/Tag Plate	
Without	0
Weather protection	1
Stainless steel tag plate (18 characters max.)	3
Weather protection + Stainless steel tag plate (18 characters max.)	6

a. For additional ordering and model code information, please refer to www.buyautomation.com.

Parts - LR75

Figure 14. LR75 - Image 1

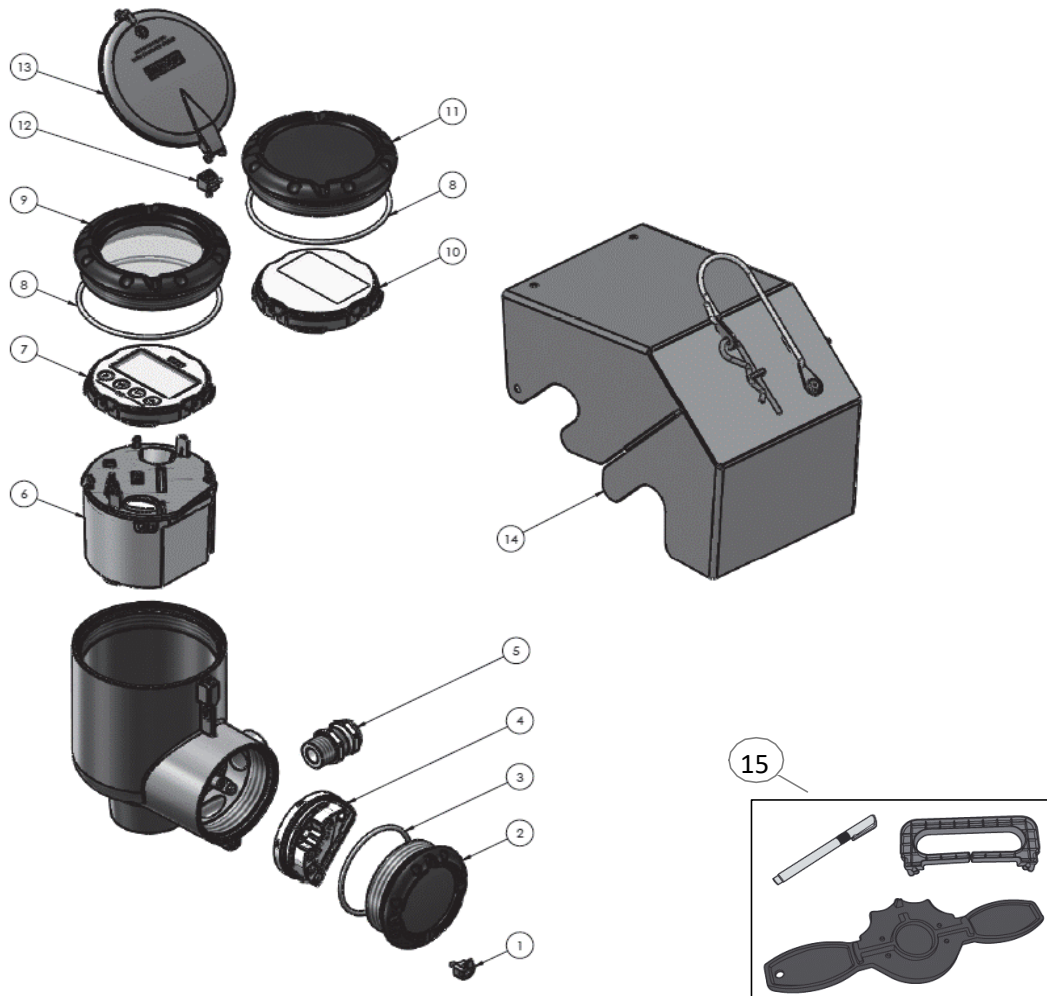


Table 14. Parts for Figure 14, "LR75 - Image 1"

Item Number	Description	Qty.	Part Number
1	Cover Stop	See items 2 & 11.	
2	Terminal Compartment Cover		
	Aluminum terminal compartment cover (2) + gasket (3) + cover stop (1)	1	XFDX01050F
	SST (non-Ex or Exia) terminal compartment cover (2)+ gasket (3) + cover stop (1)	1	XFDX01060F
3	O-Ring Gaskets Set (3 & 8) for Terminal Compartment Cover (2)	10	XFDX010800
		Also see item 2.	
4	Terminal Cartridge		
	Terminal cartridge Non Ex (GP)/Ex (NI)/Ex i (IS) (4)	1	XFDX040100
	Terminal cartridge Exd (XP) (4)	1	XFDX040200
5	Cable gland/Cable entry		
	Cable gland/M20 x 1.5 plastic black non-Ex (GP)/Ex (NI) (5)	10	XFDX050100
	Cable gland/M20 x 1.5 plastic blue Ex i (IS) (5)	10	XFDX050200
	Cable gland/M20 x 1.5 nickel-plated brass Ex d (5)	5	XFDX050300
	Cable gland/M20 x 1.5 stainless steel Ex d (5)	2	XFDX050400
	Cable gland/M20 x 1.5 nickel-plated brass non-Ex (GP)/Ex (NI)/Ex i (IS) (5)	5	XFDX050500
	Cable gland/M20 x 1.5 stainless steel non-Ex (GP)/Ex (NI)/Ex i (IS) (5)	2	XFDX050600
	Connector M12 x 1 (4-pin connector) IP67 (5)	2	XFDX050700
	Cable entry/1/2 NPT nickel-plated brass non-Ex (GP)/Ex (NI)/Exi (IS) (5)	5	XFDX050800
	Cable entry/1/2 NPT nickel-plated brass Ex d (5)	5	XFDX050900
	Cable entry/1/2 NPT nickel-plated brass cQPSus (5)	5	XFDX051000
	Cable entry/1/2 NPT stainless steel non-Ex (GP)/Ex (NI)/Ex i (IS) (5)	2	XFDX051100
	Cable entry/1/2 NPT stainless steel Ex d (5)	2	XFDX051200
	Cable entry/1/2 NPT stainless steel cQPSus (5)	2	XFDX051300
6	Signal Converter, HART 2-wire (6)	1	XFDA03010F
7	Display		
	Display module (7)	1	XFDX02010F
	Display module (7) including aluminum cover for display (9) + gasket (8)	1	XFDX02020F
	Display module (7) including SST (non-EX) cover for display (9) + gasket (8)	1	XFDX02030F
8	O-Ring Gasket Set (3 & 8) for Display Cover (9) or Blind Cover (11)	10	XFDX010800
		Also see items 7, 9 & 11.	
9	Display Cover		
	Aluminum cover for display (9) + gasket (8)	1	XFDX01030F
	SST (non-Ex or Exia) cover for display (9)+ gasket (8)	1	XFDX01040F
		Also see item 7.	
10	Dummy module (10)	1	XFDX02040F
11	Blind Cover		
	Aluminum blind cover (11) + gasket (8) + cover stop (1)	1	XFDX01010F
	SST (non-Ex or Exia) blind cover (11) + gasket (8) + cover stop (1)	1	XFDX01020F
12	Hinge	See item 13.	
13	Plastic display sunshade (13) including holder (12)	10	XFDX01070F
14	Weather protection (14)	1	XFDX060100
15	Tool kit (15): Display extractor, bar magnet and cover wrench	10	XFDX060400

Figure 15. LR75 - Image 2: Accessories

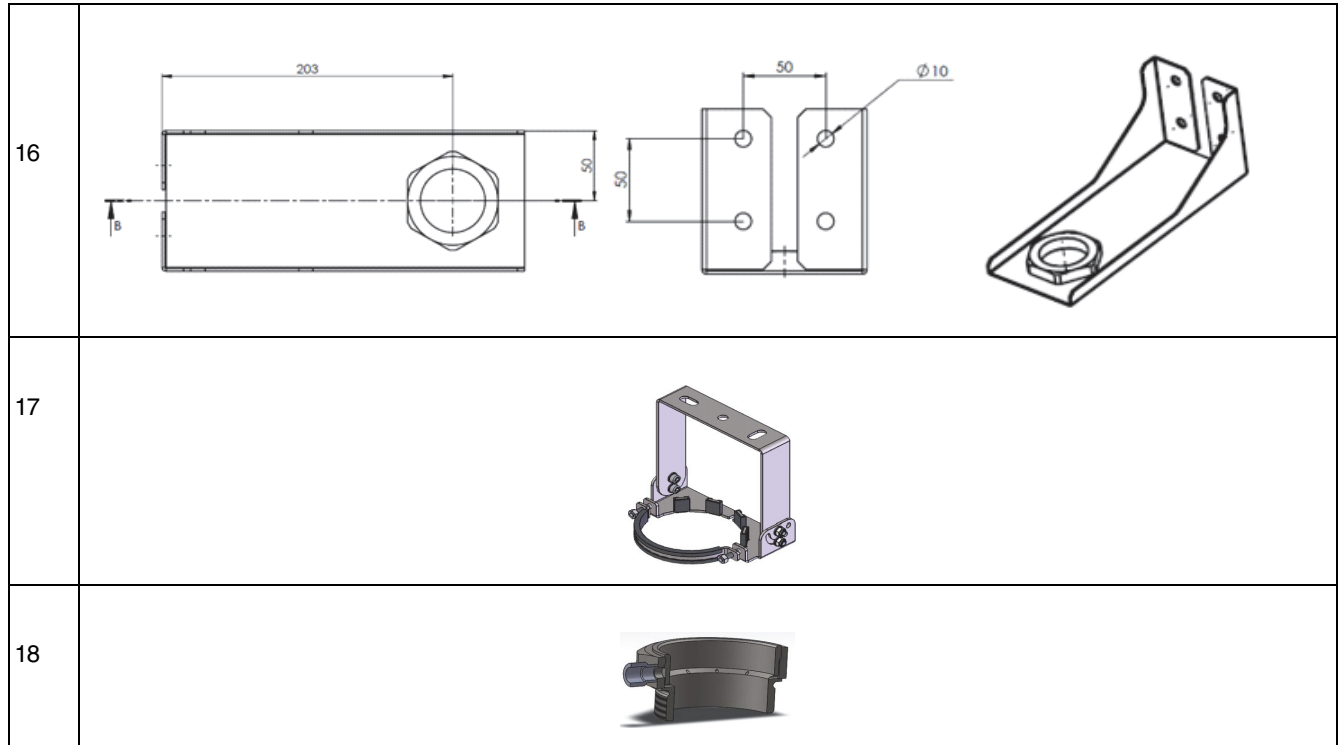


Table 15. Parts for Figure 15, “LR75 - Image 2: Accessories”

Item Number	Description	Qty.	Part Number
16	Wall Mounted Bracket made of 316L (L-shaped) - for G 1½ Transmitter Process Connection (fixing elements (for example, bolts) not included)	1	XF70000059
17	316L Hanging, Orientable Bracket (45°)	1	XF70000067
18	Purging System Adapter		
	Purging System Adapter for G 1½ Transmitter Process Connection	1	XF70000068
	Purging System Adapter for 1½ NPT Transmitter Process Connection	1	XF70000N68
	Purging System Adapter for G 3 Transmitter Process Connection	1	XF70000069
	Purging System Adapter for 3 NPT Transmitter Process Connection	1	XF70000N69

Schneider Electric Systems USA, Inc.
38 Neponset Avenue
Foxboro, MA 02035
United States of America
<http://www.schneider-electric.com>

Global Customer Support
Inside U.S.: 1-866-746-6477
Outside U.S.: 1-508-549-2424
<https://pasupport.schneider-electric.com>

Copyright 2020 Schneider Electric Systems USA, Inc.
All rights reserved.

The Schneider Electric brand and any trademarks of Schneider Electric SE or its subsidiaries are the property of Schneider Electric SE or its subsidiaries. All other trademarks are the property of their respective owners.

