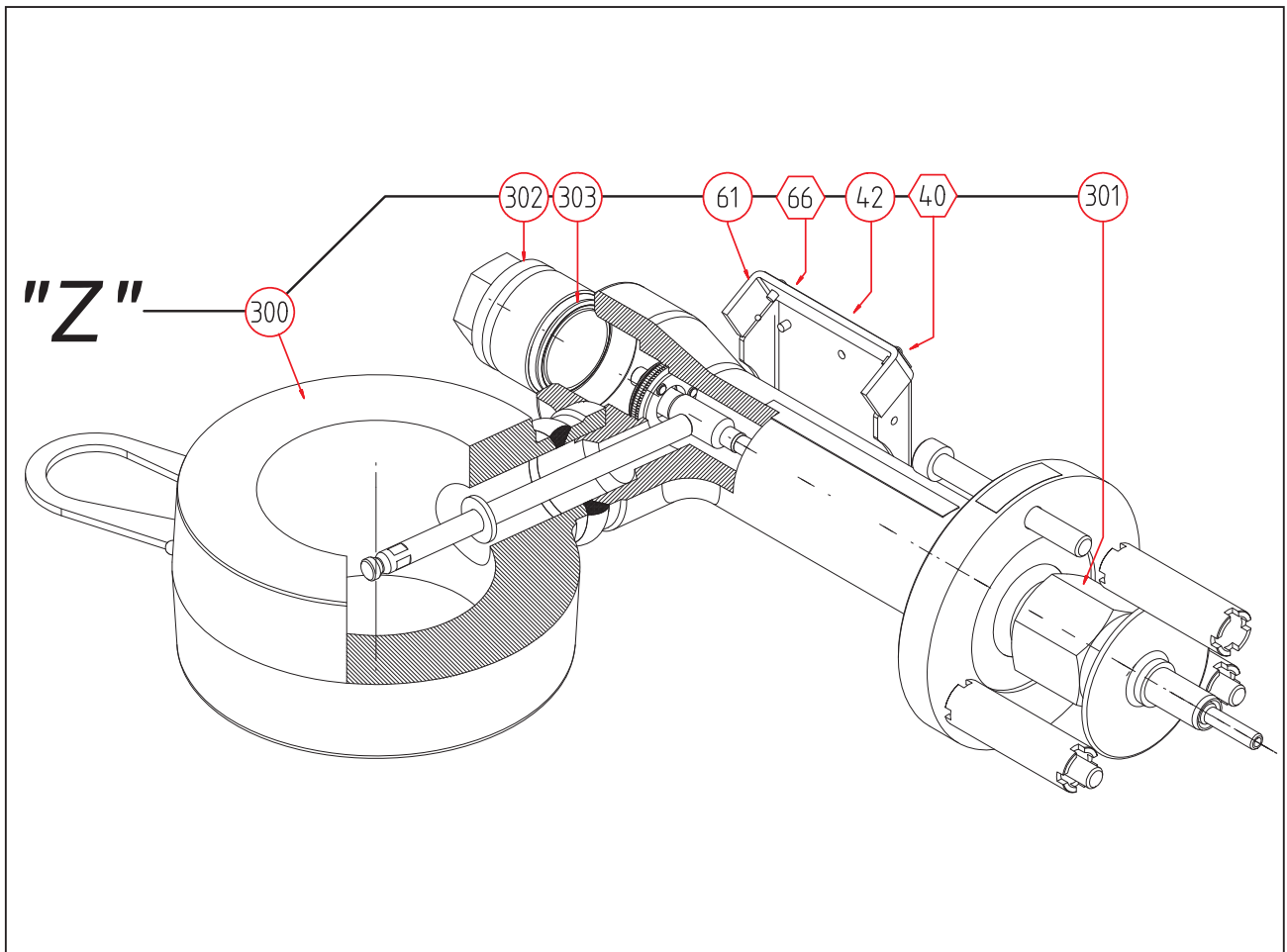


244LD *Levelstar* Intelligent Buoyancy Transmitter for Liquid Level, Interface and Density with Torque tube – HART-Version –

Vers. 6.1.x

Parts Set 244LD-.....-Z (Wafer Body)

The Parts Set contains all parts on the drawing that are connected to the line beginning at "Z". Parts are not sold separately.



Important notices:

For spare parts supplies for devices with certification resp. for supply of spare parts with certification we only warrant that the supplied spare part in its delivery condition is suitable for the certification as indicated by purchaser.

Validity of a certification generally becomes effective after orderly assembly to the complete device. Herefore, we do not assume any guarantee.

For the repair and change of explosionproof devices, the national regulations have to be observed.


Repair and maintenance must be carried out by qualified personnel!

Subject to alterations - reprinting, copying and translation prohibited. Products and publications are normally quoted here without reference to existing patents, registered utility models or trademarks. The lack of any such reference does not justify the assumption that a product or symbol is free.

FOXBORO ECKARDT GmbH
Pragstr. 82
D-70376 Stuttgart
Germany
Tel. +49 (0)711 502-0
Fax +49 (0)711 502-597
<http://www.foxboro-eckardt.com>

ECKARDT S.A.S.
20 rue de la Marne
F-68360 Soultz
France
Tel. + 33 (0)3 89 62 15 30
Fax + 33 (0)3 89 62 14 85

DOKT 556 588 302

Schneider
 **Electric**[™]