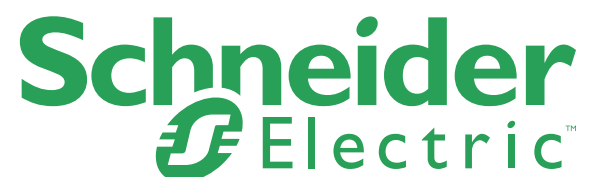


**Spare Parts and Accessories for Schneider Electric
Mass Flow Products**

Give instrument Model Code when ordering.

*Parts preceded by an asterisk are recommended spare parts.
See Recommended Spare Parts Summary section for quantities.

TO ORDER PARTS, CALL 1-866-746-6477.



Contents

CFT34A Parts List.....3
Parts - CFT34A.....3

CFT34A Parts List

Parts - CFT34A

Figure 1. CFT34A Field Version

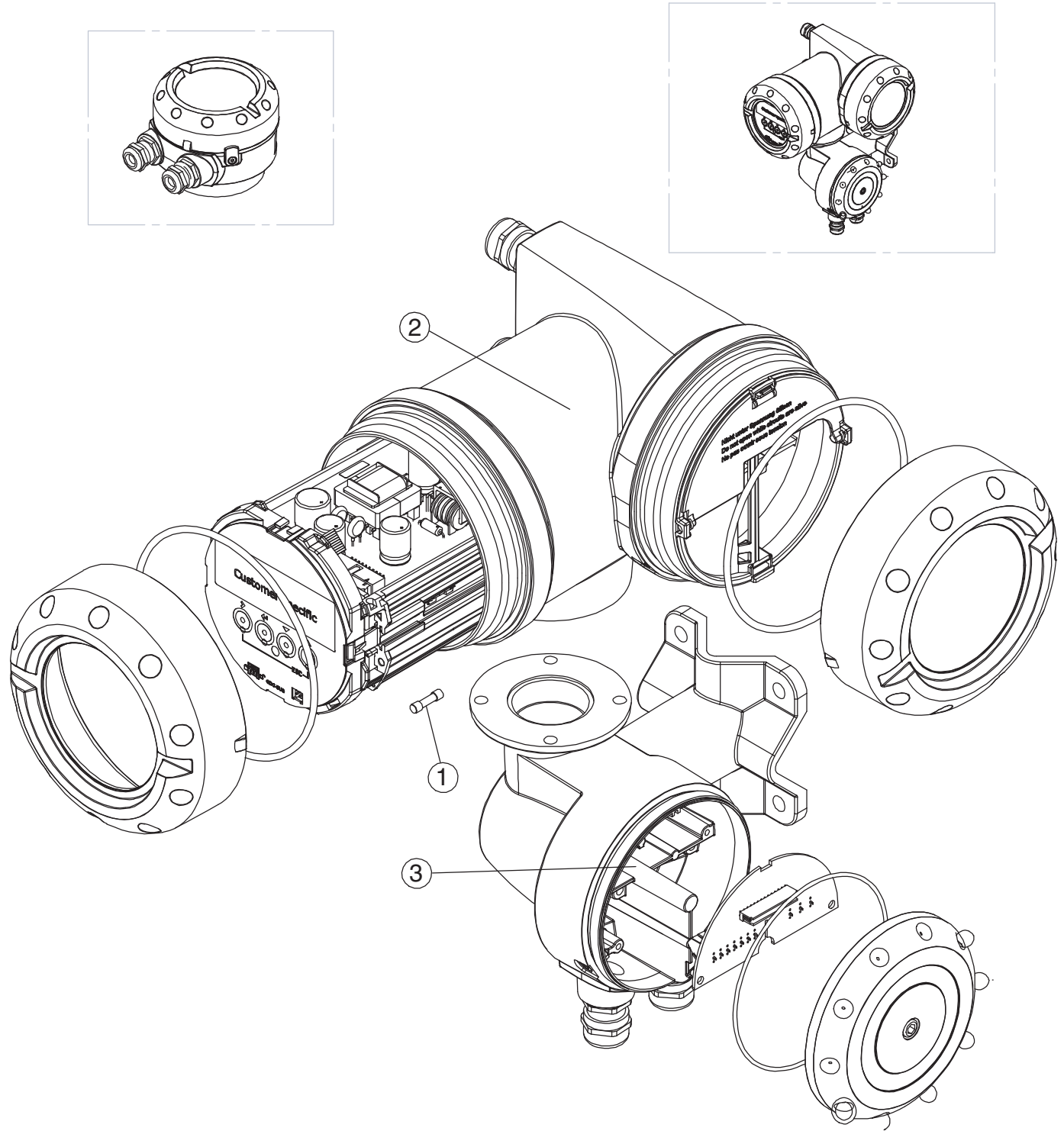


Table 1. Parts for Figure 1, "CFT34A Field Version"

Item Number	Description	Qty	Part Number
1	Fuses for power supply (5 x 20) glass		
	Fuse F1, 200 mA/T (interface board)	10	XE52010100
	Fuse F1, 800 mA/T (100 - 230 V AC) (power supply)	10	XE52010200
	Fuse F1, 2000 mA/T (12-24 V DC, 24 V AC/DC) (power supply)	10	XE52010300

Table 2. Additional Parts (see Figure 1, "CFT34A Field Version")

Item Number	For use in	Description	Part Number
--	Sensor Electronic	Sensor electronics (cast in SS lid)	XE0C010800
--	Sensor Electronic	Gasket of Sensor Electronics	XE0C041000
--	Sensor Electronic	Bolts for Sensor Electronics (set of 4)	XE0S040100
--	Sensor Electronic	M 20 -1/2" NPT F adaptor (between sensor and transmitter)	XE0C041100
2	Housing Parts for CFT34A	Transmitter housing non-Ex Aluminum (C & F)	XE52040100
2	Housing Parts for CFT34A	Transmitter housing non-Ex SS (C & F)	XE52040200
3	Housing Parts for CFT34A	Mounting Material Assembly for 2" Pipe; Field Console Housing, 316SS, Metric threads	XE53046010
--	Housing Parts for CFT34A	New/Replacement data label	XE52042200
--	Housing Parts for CFT34A	Compact to Field Conversion Kit (Non-Ex, Alu)	XE53080100
--	Housing Parts for CFT34A	Compact to Field Conversion Kit (Non-Ex, SS)	XE53080200
--	Sensor Connection Box	Connection Box Assembly non-Ex Aluminum (M20)	XE53041300
--	Sensor Connection Box	Connection Box Assembly non-Ex SS (M20)	XE53041400
--	Sensor Connection Box	Connection Box Assembly Ex Aluminum (M20)	XE53041500
--	Sensor Connection Box	Connection Box Assembly Ex SS (M20)	XE53041600
--	Sensor Connection Box	Spare M12 connector assembly, D coded for CFT34A Profinet	XE53041700
--	Sensor Connection Box	Spare M12 connector assembly, power supply A coded for 24VDC CFT34A Profinet	XE53041800
--	Bolts to suit Counter Flanges (for CFS700 only)	DN10/15/25/40/50 - Set of 4 including washers	XE0S057000
--	Bolts to suit Counter Flanges (for CFS700 only)	DN80 - Set of 8 including washers	XE0S057500
--	EPDM O-Rings for Connection Adapters and DIN11864-2 (FDA Compliant)	DN10	XE0S057050
--	EPDM O-Rings for Connection Adapters and DIN11864-2 (FDA Compliant)	DN15	XE0S057150
--	EPDM O-Rings for Connection Adapters and DIN11864-2 (FDA Compliant)	DN25	XE0S057250
--	EPDM O-Rings for Connection Adapters and DIN11864-2 (FDA Compliant)	DN40	XE0S057350

Table 2. Additional Parts (see Figure 1, "CFT34A Field Version") (Continued)

Item Number	For use in	Description	Part Number
--	EPDM O-Rings for Connection Adapters and DIN11864-2 (FDA Compliant)	DN50	XE0S057450
--	EPDM O-Rings for Connection Adapters and DIN11864-2 (FDA Compliant)	DN80	XE0S057550
--	Cable for CFT34A	Grey Non-Ex remote cable, 2.5m	XEOC101020
--	Cable for CFT34A	Grey Non-Ex remote cable, 5m	XEOC101050
--	Cable for CFT34A	Grey Non-Ex remote cable, 10m	XEOC101100
--	Cable for CFT34A	Grey Non-Ex remote cable, 20m	XEOC101200
--	Cable for CFT34A	Blue Ex (intrinsically safe) remote cable, 2.5m	XEOC102020
--	Cable for CFT34A	Blue Ex (intrinsically safe) remote cable, 5m	XEOC102050
--	Cable for CFT34A	Blue Ex (intrinsically safe) remote cable, 10m	XEOC102100
	Cable for CFT34A	Blue Ex (intrinsically safe) remote cable, 20m	XEOC102200
--	Accessories	304 Stainless steel tag plate (Compact)	XEOC042200
--	Accessories	304 Stainless steel tag plate (Remote, Transmitter only)	XEOC042300
--	Accessories	304Stainless steel tag plate (Remote, Sensor only)	XEOC042000
--	Accessories	304 Stainless steel tag plate (Remote, Transmitter and Sensor)	XEOC042400
--	Accessories	Custody Transfer Locking Seal Kit	XEOC042800
--	Accessories	Custody Transfer Locking Seal Kit for NTEP	XEOC042850
--	Accessories	Jumper for GDC display - Custody Transfer locking (5)	XEOC020100
--	Accessories	Sunshade for CFT34A	XEOC129000
--	Configuration Enhancements	Code for enabling Concentration functions in field	XEOC121000
--	Configuration Enhancements	Code for enabling Blue-Tooth in the field	XEOC121100

Schneider Electric Systems USA, Inc.
38 Neponset Avenue
Foxboro, MA 02035
United States of America
<http://www.se.com>

Global Customer Support
Inside U.S.: 1-866-746-6477
Outside U.S.: 1-508-549-2424
<https://pasupport.schneider-electric.com>

Copyright 2016-2020 Schneider Electric Systems USA, Inc. All rights reserved.

The Schneider Electric brand and any trademarks of Schneider Electric SE or its subsidiaries are the property of Schneider Electric SE or its subsidiaries. All other trademarks are the property of their respective owners.

