

**Parts List for Schneider Electric  
Electromagnetic Flow Products**

Give instrument Model Code when ordering.  
\*Parts preceded by an asterisk are recommended spare parts.  
See Recommended Spare Parts Summary section for quantities.

TO ORDER PARTS, CALL 1-866-746-6477.



## Contents

IMT33A Parts List .....	3
Model Code - IMT33A .....	3
Parts - IMT33A .....	5
IMT31A Parts List .....	9
Model Code - IMT31A .....	9
Parts - IMT31A .....	10
IMT30A Parts List .....	13
Model Code - IMT30A .....	13
Parts - IMT30A .....	14
9500A Parts List.....	15
Model Code - 9500A.....	15
Parts - 9500A.....	17
9600A Parts List.....	18
Model Code - 9600A.....	18
Parts - 9600A.....	20
8400A Parts List.....	22
Model Code - 8400A.....	22
Parts - 8400A.....	23
8500A Parts List.....	24
Model Code - 8500A.....	24
Parts - 8500A.....	25
9700A Parts List.....	26
Model Code - 9700A.....	26
Parts - 9700A.....	28
6500W Parts List.....	29
Model Code - 6500W.....	29
Parts - 6500W.....	30
IMT65W Parts List .....	31
Model Code - IMT65W .....	31
Parts - IMT65W .....	32

## IMT33A Parts List

### Model Code - IMT33A

<u>Description</u>	<u>Model</u>
Schneider Electric™ Model IMT33A Magnetic Flow Signal Converter	IMT33A
<b><u>Type</u></b>	
IMT33A Compact (Standard: aluminum)	-4
IMT33A Field (Standard: aluminum)	-H
IMT33A Wall (Standard: polycarbonate) (check BuyAutomation for availability)	-N
<b><u>Power Supply</u></b>	
12-24 VDC (9-31 VDC)	1
24 VDC/AC	4
100-230 VAC (85-253 VAC, 50/60 Hz)	A
<b><u>Ex Version</u></b>	
without - non Ex	0
Ex zone 1 (terminal compartment "d" - Compact)	1
Ex zone 1 (terminal compartment "e" - Compact & Field)	2
FM Class I DIV 2 (for Compact & Field)	5
cCSAus OL	A
CSA Class I DIV 2 (for Compact & Field)	C
NEPSI zone 1 (terminal compartment "d" - Compact)	D
NEPSI zone 1 (terminal compartment "e" - Compact & Field)	E
IECEX zone 1 (terminal compartment "d" - Compact)	F
IECEX zone 1 (terminal compartment "e" - Compact & Field)	G
<b>Check BuyAutomation for availability of the following items:</b>	
BE-Ex EAC (Belarus "e" - Compact & Field)	T
RU-Ex EAC (Russia "e" - Compact & Field)	U
KA-Ex EAC (Kazakhstan "e" - Compact & Field)	V
RU EAC (Russia)	W
KA EAC (Kazakhstan)	X
BE EAC (Belarus)	Y
<b><u>Cable Connection</u></b>	
3 x ½" NPT	4
3 x PF ½	5
3 x M20 x 1.5	6
<b><u>Operating Manual/Operating Language</u></b>	
German/German	1
English US/English US	3
French/French	4
English GB/eastern Europe group (GB, CZ, HU, SI, SL, AL, BG & RO)	A
English GB/northern Europe group (GB, DK, FI, LT, NO, PL, EE & LV)	B
English GB/northern Europe group (GB, TR)	C
Without/Chinese (check BuyAutomation for availability)	R
English GB/Russian	S
Without/Russian	X
<b><u>Custody Transfer</u></b>	
Without	0
<b><u>Process Diagnostics</u></b>	
Standard	0
Batch controlling - BC	4
<b><u>Signal Converter Housing</u></b>	
Standard	1
Stainless steel 1.4408/316 (Compact & Field only)	2

Model Code - IMT33A (Continued)

Description	Model
<b>Communication</b>	
Basic IO (4-20 mA/HART + pulse/frequency + status + control output)	1 (a)
Ex i IO: CO akt. + PO pas. (current output active + pulse output passive)	2
Ex i IO: CO pas. + PO akt. (current output passive + pulse output passive)	3
Module IO: (current output active + pulse output active)	4
Module IO: (current output active + pulse output passive)	6
Module IO: (current output active + pulse output NAMUR)	7
Module IO: (current output passive + pulse output active)	8
Module IO: (current output passive + pulse output passive)	B
Module IO: (current output passive + pulse output NAMUR)	C
Fieldbus IO: Foundation Fieldbus	E
IO RS485 Modbus	G
<b>1st IO Module</b>	
Without, no module possible	0 (a)
Ex i IO: CO akt. + PO pas. (CO active + PO/Control Input passive)	1
Ex i IO: CO pas. + PO akt. (CO passive + PO/Control Input passive)	2
Without IO module	8 (a)
Current output - active	A
Current output - passive	B
Pulse output - active/high current	C
Pulse output - passive/high current	E
Pulse output - passive/NAMUR	F
Control input - active/high current	G
Control input - active/NAMUR	H
Control input - passive/high current	K
<b>2nd I/O Module</b>	
Without, no module possible	0 (a)
Without IO module	8 (a)
Current output - active	A
Current output - passive	B
Pulse output - active/high current	C
Pulse output - passive/high current	E
Pulse output - passive/NAMUR	F
Control input - active/high current	G
Control input - active/NAMUR	H
Control input - passive/high current	K
<b>Reference Method</b>	
Standard	0
Virtual reference	1
<b>Tag plate (Field and Wall Only)</b>	
Standard	0
316/1.4401 tag plate (120 x 46 mm)	2
316/1.4401 tag plate (67 x 25 mm)	3

a. Standard

Parts - IMT33A

Figure 1. IMT33A Field Version

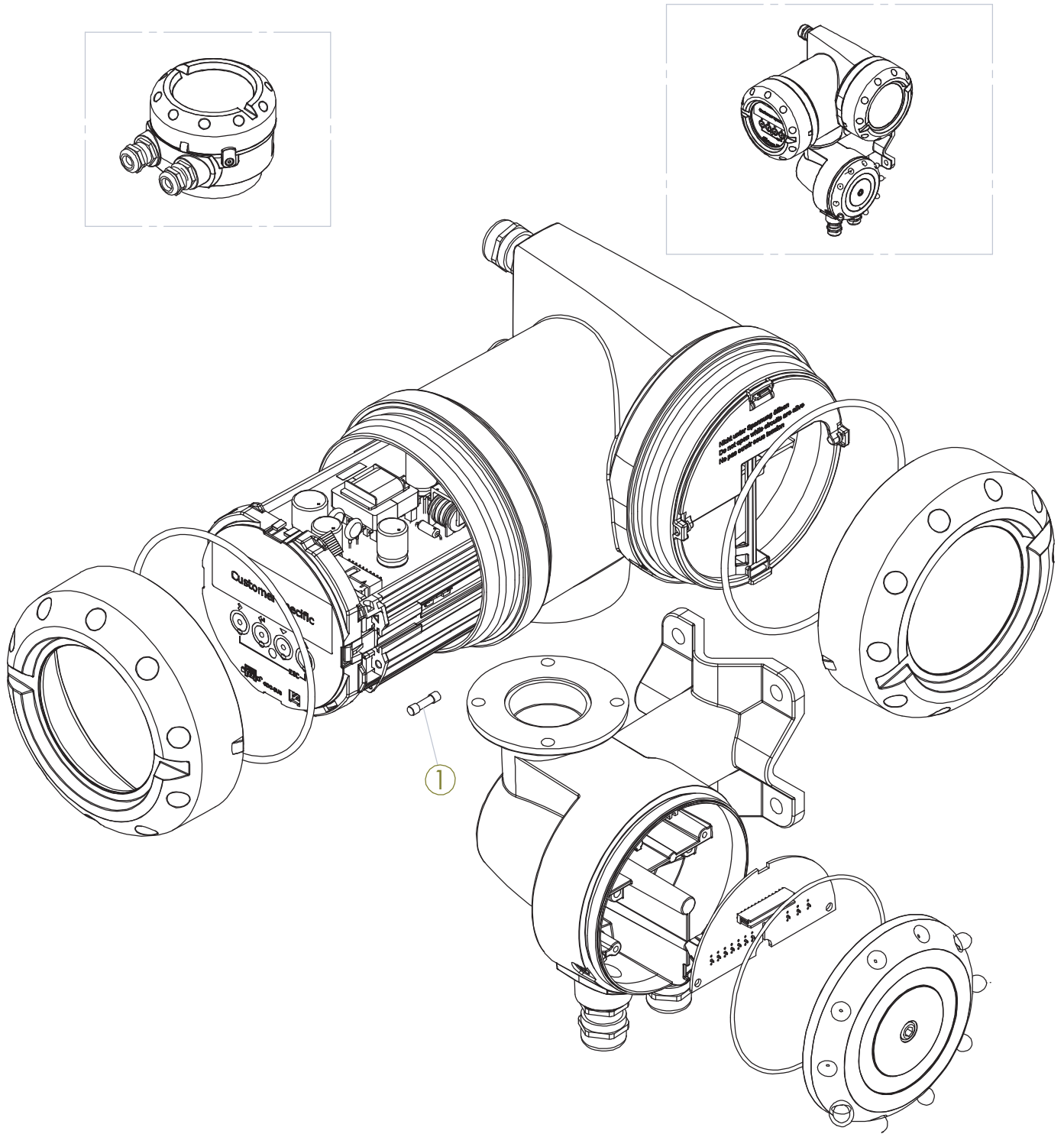


Figure 2. IMT33A Wall-Mounted Version

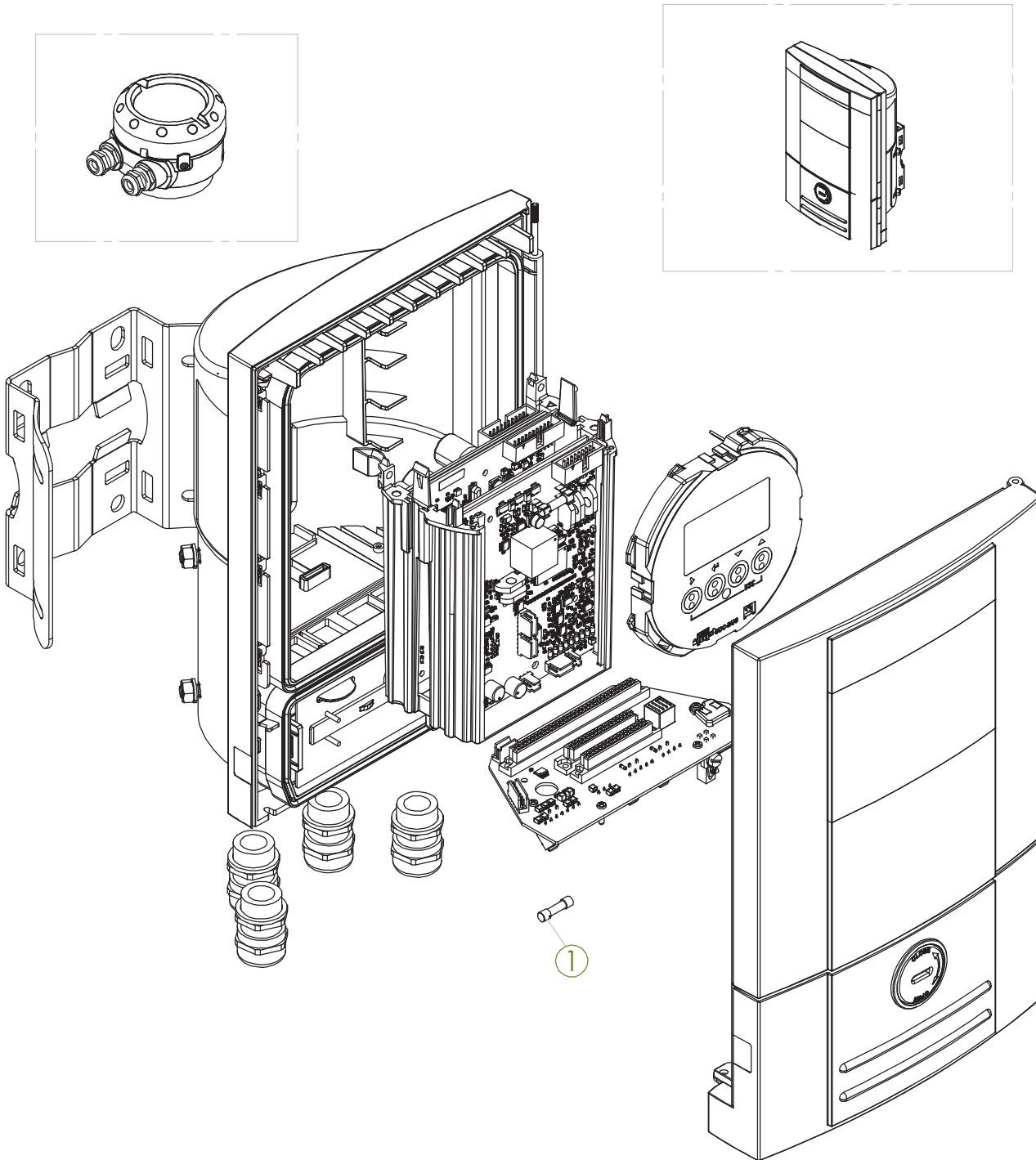


Table 1. Parts for Figure 1, “IMT33A Field Version” and Figure 2 “IMT33A Wall-Mounted Version”

Item Number	Description	Qty	Part Number
1	<b>Fuses for power supply (5 x 20) glass</b>		
	Fuse F1, 200 mA/T	10	XN00030200
	Fuse F1, 800 mA/T 100 - 230 V AC	10	XN00030500
	Fuse F1, 2000 mA/T (24 V DC & 24 V DC/AC)	10	XN00031300

Figure 3. EMF Signal Cable for ITM33A



Table 2. Parts for Figure 3, “EMF Signal Cable for ITM33A”

Cable type	Recommended for signal converter	Length	Part Number
DS grey	IMT31A W & IMT33A F/W/R	1 m (3 ft)	XN00101100
DS grey	IMT31A W & IMT33A F/W/R	5 m (16 ft)	XN00101110
DS grey	IMT31A W & IMT33A F/W/R	10 m (32 ft)	XN00101120
DS grey	IMT31A W & IMT33A F/W/R	20 m (64 ft)	XN00101130
DS grey	IMT31A W & IMT33A F/W/R	50 m (164 ft)	XN00101140
DS grey	IMT31A W & IMT33A F/W/R	100 m (328 ft)	XN00101150
DS grey	IMT31A W & IMT33A F/W/R	300 m (984 ft)	XN00101160
DS grey	IMT31A W & IMT33A F/W/R	500 m (1640 ft)	XN00101170
DS grey	IMT31A W & IMT33A F/W/R	1000 m (3280 ft)	XN00101180
DS blue	IMT31A W/Ex & IMT33A F/Ex	1 m (3 ft)	XN00101200
DS blue	IMT31A W/Ex & IMT33A F/EX	5 m (16 ft)	XN00101210
DS blue	IMT31A W/Ex & IMT33A F/Ex	10 m (32 ft)	XN00101220
DS blue	IMT31A W/Ex & IMT33A F/Ex	20 m (64 ft)	XN00101230
DS blue	IMT31A W/Ex & IMT33A F/Ex	50 m (164 ft)	XN00101240

Table 2. Parts for Figure 3, "EMF Signal Cable for ITM33A" (Continued)

Cable type	Recommended for signal converter	Length	Part Number
DS blue	IMT31A W/Ex & IMT33A F/Ex	100 m (328 ft)	XN00101250
DS blue	IMT31A W/Ex & IMT33A F/Ex	300 m (984 ft)	XN00101260
DS blue	IMT31A W/Ex & IMT33A F/Ex	500 m (1640 ft)	XN00101270
DS blue	IMT31A W/Ex & IMT33A F/Ex	1000 m (3280 ft)	XN00101280
BTS grey	IMT33A F/W/R	1 m (3 ft)	XN00102100
BTS grey	IMT33A F/W/R	5 m (16 ft)	XN00102110
BTS grey	IMT33A F/W/R	10 m (32 ft)	XN00102120
BTS grey	IMT33A F/W/R	20 m (64 ft)	XN00102130
BTS grey	IMT33A F/W/R	50 m (164 ft)	XN00102140
BTS grey	IMT33A F/W/R	100 m (328 ft)	XN00102150
BTS grey	IMT33A F/W/R	300 m (984 ft)	XN00102160
BTS grey	IMT33A F/W/R	500 m (1640 ft)	XN00102170
BTS grey	IMT33A F/W/R	1000 m (3280 ft)	XN00102180
BTS blue	IMT33A F/Ex	1 m (3 ft)	XN00102200
BTS blue	IMT33A F/Ex	5 m (16 ft)	XN00102210
BTS blue	IMT33A F/Ex	10 m (32 ft)	XN00102220
BTS blue	IMT33A F/Ex	20 m (64 ft)	XN00102230
BTS blue	IMT33A F/Ex	50 m (164 ft)	XN00102240
BTS blue	IMT33A F/Ex	100 m (328 ft)	XN00102250
BTS blue	IMT33A F/Ex	300 m (984 ft)	XN00102260
BTS blue	IMT33A F/Ex	500 m (1640 ft)	XN00102270
BTS blue	IMT33A F/Ex	1000 m (3280 ft)	XN00102280
DS grey, 3-wire	IMT33A F/W/R	1 m (3 ft)	XN00101400



MODEL CODE - IMT31A

# IMT31A Parts List

Model Code - IMT31A

Description	Model
Schneider Electric™ Model IMT31A Magnetic Flow Signal Converter	IMT31A
<b>Type</b>	
IMT31A compact (0°)	-4
IMT31A compact (45°)	-6
IMT31A wall-mounted	-N
<b>Power Supply</b>	
12-24 VDC	1
24 VDC/AC (19-31 V)	4
100-230 VAC (85-253 VAC, 50/60 Hz)	A
<b>Ex Version</b>	
without - non Ex	0
Ex zone 1 (terminal compartment “e” - compact & wall) (9500A tubes only)	2
cFMus Class 1 DIV 2 (US)	5
cCSAus OL	A
cFMus Class 1 DIV 2 (Canada)	C
IECEx zone 1 (terminal compartment “e” - compact & wall) (9500A tubes only)	G
<b>Check BuyAutomation for availability of the following items:</b>	
BE-Ex EAC (Belarus “e” - compact & wall) (9500A tubes only)	T
RU-Ex EAC (Russia “e” - compact & wall) (9500A tubes only)	U
KA-Ex EAC (Kazakhstan “e” - compact & wall) (9500A tubes only)	V
RU EAC (Russia)	W
KA EAC (Kazakhstan)	X
BE EAC (Belarus)	Y
<b>Cable Connection</b>	
½” NPT	4
PF ½	5
M20 x 1.5	6
<b>Operating Manual/Operating Language</b>	
see below/German	5
see below/English GB	6
see below/French	7
see below/Spanish	8
see below/eastern Europe group (GB, CZ, HU, SI, SL, AL, BG & RO)	A
see below/northern Europe group (GB, DK, FI, LT, NO, PL, EE & LV)	B
see below/Italian	H
see below/Portuguese	K
see below/Dutch	L
see below/Swedish	M
see below/Chinese (check BuyAutomation for availability)	R
see below/Russian	X
<b>Custody Transfer</b>	
Without	0
<b>Process Diagnostics</b>	
Standard	0
Tropicalized electronics for non Ex (not for 12-24 VDC)	C
Empty Pipe Detection	D
<b>Signal Converter Housing</b>	
Standard	1
Stainless Steel	2
<b>Communication</b>	
Basic IO (4-20 mA/HART + pulse/frequency + status output)	1

Model Code - IMT31A (Continued)

Description	Model
<b>1st IO Module</b> Without, no module possible	0
<b>2nd I/O Module</b> Without, no module possible	0
<b>Reference Method</b> Standard	0
<b>Tag Plate (Field &amp; Wall Only)</b> Standard	0
316/1.4401 tag plate (120 x 46 mm)	2
316/1.4401 tag plate (67 x 25 mm)	3
<b>Manuals</b> German	1
English	3 (a)
French	4

a. Standard

Parts - IMT31A

Table 3. "Parts for IMT31A (Not Shown)"Parts for IMT31A (Not Shown)

Description	Qty	Part Number
<b>Fuses for power supply (5 x 20) glass</b>		
Fuse F1, 800 mA/T 1500A 100 - 230 V ac	10	XN00030500
Fuse F1, 1250 mA/T 150A 12 - 24 V dc	10	XN00031400
IMT31A Conversion Kit: Compact to Wall Mount	1	B1280L6

Figure 4. EMF Signal Cable for IMT31A



Table 4. Parts for Figure 4, “EMF Signal Cable for IMT31A”

Cable type	Recommended for signal converter	Length	Part Number
DS grey	IMT31A W & IMT33A F/W/R	1 m (3 ft)	XN00101100
DS grey	IMT31A W & IMT33A F/W/R	5 m (16 ft)	XN00101110
DS grey	IMT31A W & IMT33A F/W/R	10 m (32 ft)	XN00101120
DS grey	IMT31A W & IMT33A F/W/R	20 m (64 ft)	XN00101130
DS grey	IMT31A W & IMT33A F/W/R	50 m (164 ft)	XN00101140
DS grey	IMT31A W & IMT33A F/W/R	100 m (328 ft)	XN00101150
DS grey	IMT31A W & IMT33A F/W/R	300 m (984 ft)	XN00101160
DS grey	IMT31A W & IMT33A F/W/R	500 m (1640 ft)	XN00101170
DS grey	IMT31A W & IMT33A F/W/R	1000 m (3280 ft)	XN00101180
DS blue	IMT31A W/Ex & IMT33A F/Ex	1 m (3 ft)	XN00101200
DS blue	IMT31A W/Ex & IMT33A F/EX	5 m (16 ft)	XN00101210
DS blue	IMT31A W/Ex & IMT33A F/Ex	10 m (32 ft)	XN00101220
DS blue	IMT31A W/Ex & IMT33A F/Ex	20 m (64 ft)	XN00101230
DS blue	IMT31A W/Ex & IMT33A F/Ex	50 m (164 ft)	XN00101240

Table 4. Parts for Figure 4, "EMF Signal Cable for IMT31A" (Continued)

Cable type	Recommended for signal converter	Length	Part Number
DS blue	IMT31A W/Ex & IMT33A F/Ex	100 m (328 ft)	XN00101250
DS blue	IMT31A W/Ex & IMT33A F/Ex	300 m (984 ft)	XN00101260
DS blue	IMT31A W/Ex & IMT33A F/Ex	500 m (1640 ft)	XN00101270
DS blue	IMT31A W/Ex & IMT33A F/Ex	1000 m (3280 ft)	XN00101280

# IMT30A Parts List

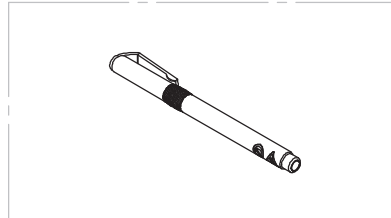
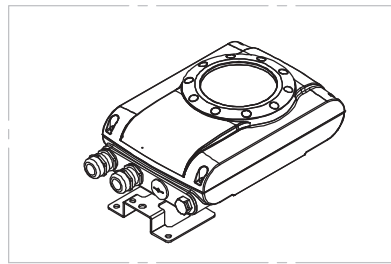
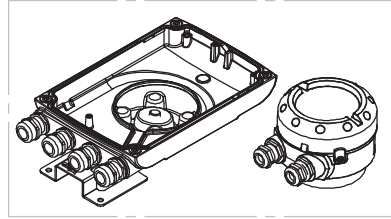
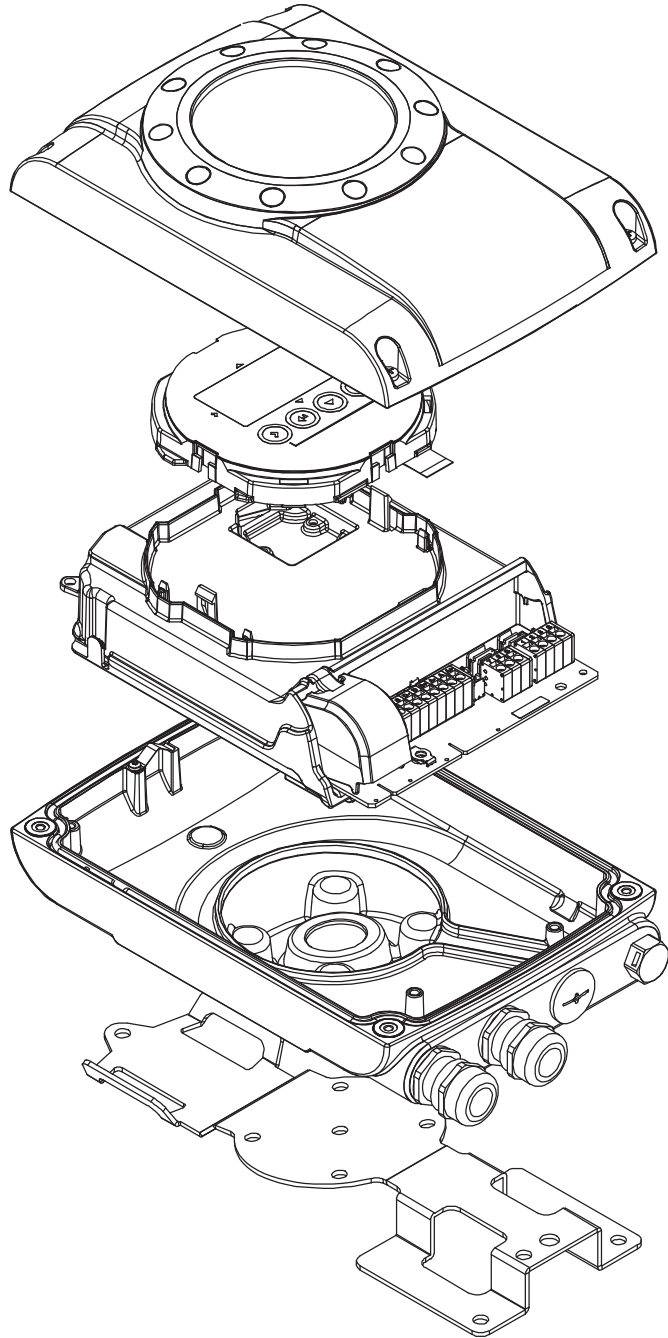
## Model Code - IMT30A

<u>Description</u>	<u>Model</u>
Schneider Electric™ Model IMT30A Magnetic Flow Signal Converter	IMT30A
<b><u>Type</u></b>	
IMT30A (compact with display - Basic IO)	-4
IMT30A (wall with display - Basic IO)	-N
<b><u>Power Supply</u></b>	
12-24 VDC	1
100-230 VAC (85-253 VAC, 50/60 Hz)	A
<b><u>Ex Version</u></b>	
without - non Ex	0
<b><u>Cable Connection</u></b>	
½" NPT	4
PF ½	5
M20 x 1.5	6
<b><u>Operating Manual/Operating Language</u></b>	
without/German	5
without/English GB	6
without/French	7
without/Spanish	8
without/eastern Europe group (GB, CZ, HU, SI, SL, AL, BG & RO)	A
English GB/southern Europe group (GB, TR)	C
without/Italian	H
without/Portuguese	K
without/Dutch	L
without/Swedish	M
without/Chinese (check BuyAutomation for availability)	R
without/Russian	X
<b><u>Custody Transfer</u></b>	
Without	0
<b><u>Process Diagnostics</u></b>	
Standard	0
<b><u>Signal Converter Housing</u></b>	
Standard	1
<b><u>Communication</u></b>	
Basic IO (4-20 mA/HART + pulse/frequency + status output)	1
Basic IO + RS485 Modbus	R
<b><u>1st IO Module</u></b>	
Without, no module possible	0
<b><u>2nd I/O Module</u></b>	
Without, no module possible	0
<b><u>Reference Method</u></b>	
Standard	0
<b><u>Tag Plate (Field &amp; Wall Only)</u></b>	
Standard	0
316/1.4401 tag plate (120 x 46 mm)	2
316/1.4401 tag plate (67 x 25 mm)	3
<b><u>Manuals</u></b>	
German	1
English	3 (a)
French	4

a. Standard

Parts - IMT30A

Figure 5. IMT30A



①

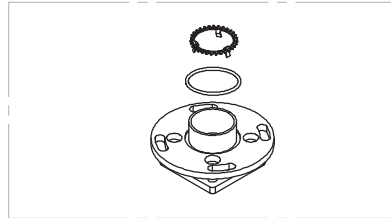


Table 5. Parts for Figure 5, "IMT30A"

Item Number	Description	Qty	Part Number
	<b>Display Tool</b>		
1	Magnetic Pen	5	XN34020210
1	IMT30A Handheld for Configuring Blind (without display)	1	4001722203

## 9500A Parts List

## Model Code - 9500A

Description	Model
Schneider Electric™ Model 9500A Magnetic Flow Sensor	
<b>Nominal diameter and liner</b>	
DN25,1" hard rubber	9501A
DN32,1¼" hard rubber	951QA
DN40,1½" hard rubber	951HA
DN50,2" hard rubber	9502A
DN65,2½" hard rubber	952HA
DN80,3" hard rubber	9503A
DN100,4" hard rubber	9504A
DN125,5" hard rubber	9505A
DN150,6" hard rubber	9506A
DN200,8" hard rubber	9508A
DN250,10" hard rubber	9510A
DN300,12" hard rubber	9512A
DN350,14" hard rubber	9514A
DN400,16" hard rubber	9516A
DN450,18" hard rubber	9518A
DN500,20" hard rubber	9520A
DN600,24" hard rubber	9524A
DN700,28" hard rubber	9528A
DN750,30" hard rubber	9530A
DN800,32" hard rubber	9532A
DN900,36" hard rubber	9536A
DN1000,40" hard rubber	9540A
DN1100,44" hard rubber	9544A
DN1200,48" hard rubber	9548A
DN1400,56" hard rubber	9556A
DN1600,64" hard rubber	9564A
DN1800,72" hard rubber	9572A
DN2000,80" hard rubber	9580A
<b>Nominal pressure</b>	
PN 6 EN 1092-1 (DN 1200...2000)	-1
PN 10 EN 1092-1 (DN 200...2000)	-2
PN 16 EN 1092-1 (DN 25...1000)	-3
PN 40 EN 1092-1 (DN 10...600)	-5
150 lbs RF ASME B 16.5 (1"... 24")	-A
300 lbs RF ASME B 16.5 (1"... 24")	-B
JIS 20 K (DN 25...150)	-M
JIS 10 K (DN 50...600)	-N
PN 25 EN 1092-1 (DN 200...600)	-4
Class D AWWA (DN 700...2000 28"...80")	-W
<b>Ex Version (a)</b>	
non Ex	0
EEx zone 1 (for IMT33A compact and field, IMT31A compact and wall only)	1
<b>(check BuyAutomation for availability)</b>	
FM Class I DIV 2 (for IMT33A compact and field, IMT31A compact and wall only)	5
cCSAus OL (for IMT33A compact and field, IMT31A compact and wall only)	A
CSA Class I DIV 2 (for IMT33A compact and field, IMT31A compact and wall only)	C

Model Code - 9500A (Continued)

Description	Model
<b>Check Buy Automation for availability of the following items:</b>	
BE-Ex EAC (Belarus IMT33A compact and field, IMT31A compact and wall only)	T
RU-Ex EAC (Russia IMT33A compact and field, IMT31A compact and wall only)	U
KA-Ex EAC (Kazakhstan IMT33A compact and field, IMT31A compact and wall only)	V
RU-EAC (Russia)	W
KA-EAC (Kazakhstan)	X
BE-EAC (Belarus)	Y
<b>System Design</b>	
Compact with aluminum converter housing/at converter	1
Compact with stainless steel converter housing/at converter	2
Separate with aluminum connection box/1/2" NPT	4
Separate with aluminum connection box/PF 1/2	5
Separate with aluminum connection box/M20 x 1.5 A	6
Separate with stainless steel connection box/1/2" NPT	A
Separate with stainless steel connection box/PF 1/2	B
Separate with stainless steel connection box/M20 x 1.5	C
<b>Converter Model</b>	
Without/modular	0
IMT31A (compact design)	3
IMT31A (wall mount version)	4
IMT33A (compact design)	C
IMT33A (field mount version)	D
IMT30A (compact design)	K
IMT30A (wall mount version)	L
<b>Lining</b>	
Standard (Hard rubber DN 200...2000)	0
Hard rubber (4...6"/DN100...150)	5
Hard rubber (1...3"/DN25...80)	8
<b>Electrodes (Fixed)</b>	
Stainless steel DIN 1.4571/316 Ti	1
Nickel alloy (b)	3
Titanium	6
Nickel alloy (c)	B
<b>Construction of Electrodes</b>	
Fixed	1
<b>Housing/Flange Material</b>	
Steel/steel St 37-c22/A105	1
Steel/stainless steel DIN 1.4404/316 L	3
Steel/stainless steel DIN 1.4571/316Ti	4
1.4301/304/steel St 37-C22/A 105 (with stainless steel connection box)	A
1.4301/304/stainless steel DIN 1.4404/316L (with stainless steel connection box)	C
1.4301/304/stainless steel DIN 1.4571/316 Ti (with stainless steel connection box)	D
<b>Protection Class/Dimension (Face-to-Face)</b>	
IP 66/67/standard	0
IP 68 Field/standard (with stainless steel connection box)	1
IP 68 Factory/standard (with stainless steel connection box)	2
IP 66/67/ISO 13359	3
IP 68 Field /ISO 13359 (with stainless steel connection box)	4
IP 68 Factory/ISO 13359 (with stainless steel connection box)	5
<b>Cable</b>	
Compact - without/separate DS	0
Separate BTS	1
Separate LIYCY (only for FM/CSA Class 1 DIV 2) (only for IMT33A and IP68)	2
Without	Y



## Model Code - 9500A (Continued)

<u>Description</u>	<u>Model</u>
<b><u>Cable Length</u></b>	
Compact - none/separate - 5 m - 15 ft	0
10 m - 30 ft	1
15 m - 45 ft	2
20 m - 60 ft	3
25 m - 75 ft	4
30 m - 90 ft	5
40 m - 120 ft	6
50 m - 150 ft	7
100 m - 300 ft	8
Without	Y
<b><u>Calibration</u></b>	
Standard	0
316 1.4401 tag plate (120 x 46 mm)	2
316 1.4401 tag plate (67 x 25 mm)	3
<b><u>Ring /Material</u></b>	
Without	0
Ring #1/Titanium	5
Ring #1/1.4404 316 L	6
Ring #1/Nickel alloy (c)	7
Ring #3/1.4404 316 L	E
<b><u>Construction Requirements</u></b>	
Standard	0
<b><u>QA/QC Requirements</u></b>	
Standard	0
<b><u>Ratio of CT-Calibration</u></b>	
Standard, R=80	0

- a. To maintain certification, make sure the transmitter being used is listed in the Description.
- b. Equivalent to Hastelloy® C4. Hastelloy is a registered trademark of Haynes International, Inc.
- c. Equivalent to Hastelloy® C22.

## Parts - 9500A

Not applicable. There are no parts available for the 9500A.

# 9600A Parts List

## Model Code - 9600A

<u>Description</u>	<u>Model</u>
Schneider Electric™ Model 9600A Magnetic Flow Sensor	960TA
<b><u>Nominal Diameter and Liner</u></b>	
DN2.5 1/10" PFA	960TA
DN4 1/6" PFA	960SA
DN6 1/4" PFA	960QA
DN10 3/8" PFA	963EA
DN15 1/2" PFA	96HAA
DN25 1" PFA	9601A
DN40 1 1/2" PFA	961HA
DN50 2" PFA	9602A
DN65 2 1/2" PFA	962HA
DN80 3" PFA	9603A
DN100 4" PFA	9604A
DN125 5" PFA	9605A
DN150 6" PFA	9606A
<b><u>Connection/Pressure</u></b>	
DIN 11851 - dairy screw connection	-H
SMS 1145 - dairy screw connection	-K
ISO 2852 - clamp connection	-L
DIN 32676 - clamp connection	-N
Tri CLAMP - clamp connection	-P
DIN 11850 - weld-end connection	-S
ISO 2037 - weld-end connection	-T
DIN 11864 - 2A- flange connection	-U
<b><u>Ex Version</u></b>	
non Ex	0
FM Class I DIV 2 (IMT33A Field [DN 2.5...15])	5
cCSAus OL (IMT33A compact/field/wall & IMT31A compact/wall)	A
CSA Class I DIV 2	C
<b><u>System Design</u></b>	
Compact with aluminum converter housing/at converter	1
Compact with stainless steel converter housing/at converter	2
Separate with aluminum connection box/1/2" NPT	4
Separate with aluminum connection box/PF 1/2	5
Separate with aluminum connection box/M20 x 1.5 A	6
Separate with stainless steel connection box/1/2" NPT	A
Separate with stainless steel connection box/PF 1/2	B
Separate with stainless steel connection box/M20 x 1.5	C
<b><u>Converter Model</u></b>	
Without/modular	0
IMT31A (compact design)	3
IMT31A (wall mount version)	4
IMT33A (compact design)	C
IMT33A (field mount version)	D
IMT33A (wall mount version)	E
IMT30A (compact design) (DN 10...150 3/8"...6")	K
IMT30A (wall mount version) (DN 10...150 3/8"...6")	L
<b><u>Mounting Material</u></b>	
Without	0
<b><u>Grounding Ring Material</u></b>	
Without/L-profile O-ring EPDM (aseptical connection)	0
Without/L-profile O-ring silicone (aseptical connection)	D

MODEL CODE - 9600A

Model Code - 9600A (Continued)

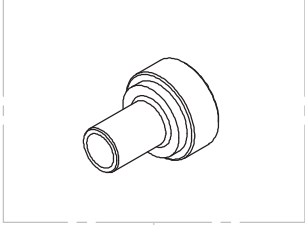
Description	Model
<b>Electrodes (Fixed)</b>	
St. Steel 1.4571/316Ti (DN 2.5...1511/10"...½")	1
Nickel alloy (a) (DN 2.5...1511/10"...½")	3
Nickel alloy (b) (DN 2.5...1511/10"...½")	4
Tantalum (DN 2.5...1511/10"...½")	5
Titanium	6
Platinum (wetted parts) (DN 2.5...1511/10"...½")	7
St. Steel 1.4404/316L (DN 25...1001"...4")	A
Nickel alloy (c) (DN 2.5...15011/10"...6")	B
<b>Protection Class/Dimension (Face-to-Face)</b>	
IP 66/67/standard	0
IP 68 filed/standard (with stainless steel connection box)	1
IP 68 factory/standard (with stainless steel connection box)	2
<b>Cable</b>	
Compact - without/separate DS	0
Separate BTS	1
Separate LIYCY (only for FM/CSA Class 1 DIV 2)	2
Without	Y
<b>Cable Length</b>	
Compact - none/separate - 5 m - 15 ft	0
10 m - 30 ft	1
15 m - 45 ft	2
20 m - 60 ft	3
25 m - 75 ft	4
30 m - 90 ft	5
40 m - 120 ft	6
50 m - 150 ft	7
100 m - 300 ft	8
Without	Y
<b>Calibration</b>	
Standard	0
316/1.4401 tag plate (120 x 46mm)	2
316/1.4401 tag plate (67 x 25mm)	3
<b>Construction requirements</b>	
Standard	0
<b>QA/QC Requirements</b>	
Standard	0
<b>Ratio of CT-Calibration /Material</b>	
Standard, R=80	0

- a. Equivalent to Hastelloy® C4.
- b. Equivalent to Hastelloy® B2.
- c. Equivalent to Hastelloy® C22.

Parts - 9600A

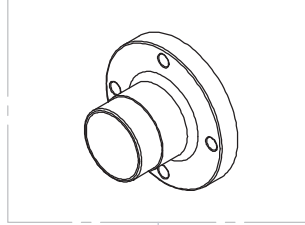
Figure 6. 9600A

DIN 11850 DN2,5 - 15



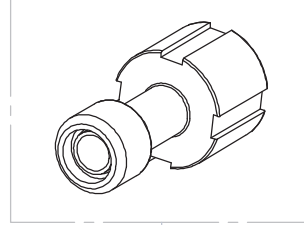
5

DIN 11850 DN25 - 150



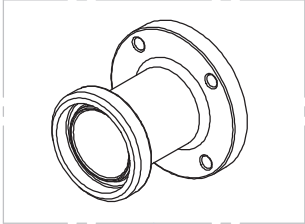
6

DIN 11851 DN2,5 - 15



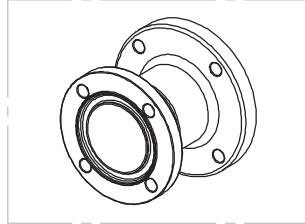
7

DIN 11851 DN25 - 150



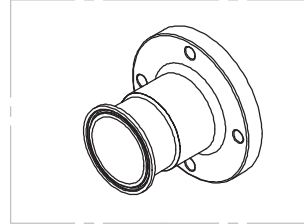
8

DIN 11864-2 DN25 - 150



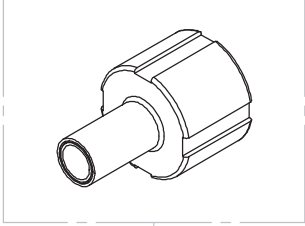
9

DIN 32676 DN25 - 150



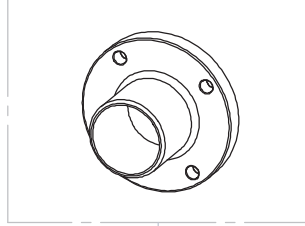
10

ISO 2037 DN2,5 - 15



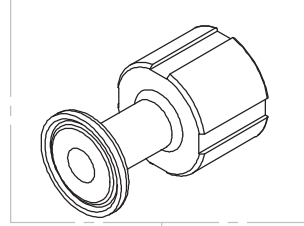
11

ISO 2037 DN25 - 150



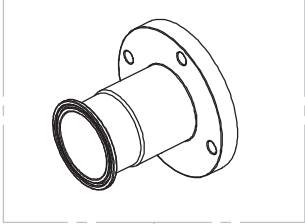
12

ISO 2852 DN2,5 - 15



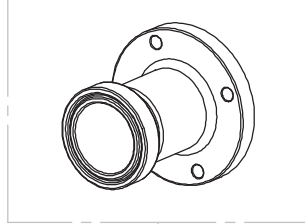
13

ISO 2852 DN25 - 150



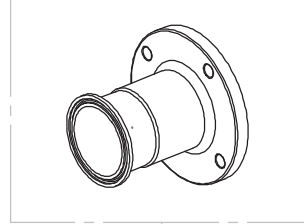
14

SMS 1145 DN25 - 150



15

Tri CLAMP DN25 - 150



16

Table 6. Parts for Figure 6, "9600A"

Item Number	Description	Qty	Part Number
<b>O-rings for 9600A: DN 2.5 - 150 1/10 - 6"</b>			
N/A	DN2.5 - DN15 - FPM/FKM for flange type (O-ring)	10	XN99030110
N/A	DN2.5 - DN15 - PFPM/FKM for flange type (O-ring)	2	XN99030210
N/A	DN2.5 - DN15 - EPDM for flange type (O-ring)	10	XN99030310
N/A	DN2.5 - DN10 - EPDM for sanitary connections DIN/ISO/SMS (L-profiled)	10	XN99030510
N/A	DN15 - EPDM for sanitary connections DIN/ISO/SMS (L-profiled)	10	XN99030520
N/A	DN25 - EPDM for sanitary connections DIN/ISO/SMS (L-profiled)	10	XN99030610
N/A	DN40 - EPDM for sanitary connections DIN/ISO/SMS (L-profiled)	10	XN99030620
N/A	DN50 - EPDM for sanitary connections DIN/ISO/SMS (L-profiled)	10	XN99030630
N/A	DN65 - EPDM for sanitary connections DIN/ISO/SMS (L-profiled)	10	XN99030640
N/A	DN80 - EPDM for sanitary connections DIN/ISO/SMS (L-profiled)	10	XN99030650
N/A	DN100 - EPDM for sanitary connections DIN/ISO/SMS (L-profiled)	10	XN99030660
N/A	DN125 - EPDM for sanitary connections DIN/ISO/SMS (L-profiled)	10	XN99030670
N/A	DN150 - EPDM for sanitary connections DIN/ISO/SMS (L-profiled)	10	XN99030680
N/A	DN25 - Silicone for sanitary connections DIN/ISO/SMS (L-profiled)	10	XN99030820
N/A	DN40 - Silicone for sanitary connections DIN/ISO/SMS (L-profiled)	10	XN99030830
N/A	DN50 - Silicone for sanitary connections DIN/ISO/SMS (L-profiled)	10	XN99030840
N/A	DN65 - Silicone for sanitary connections DIN/ISO/SMS (L-profiled)	10	XN99030850
N/A	DN80 - Silicone for sanitary connections DIN/ISO/SMS (L-profiled)	10	XN99030860
N/A	DN100 - Silicone for sanitary connections DIN/ISO/SMS (L-profiled)	10	XN99030870
N/A	DN125 - Silicone for sanitary connections DIN/ISO/SMS (L-profiled)	10	XN99030880
N/A	DN150 - Silicone for sanitary connections DIN/ISO/SMS (L-profiled)	10	XN99030890
<b>Earthing/grounding rings for 9600A: DN 2.5 - 15 1/10 - 1/2"</b>			
N/A	DN2.5 - DN15 - 1.4571 Grounding ring for flange type	1	VN990058S110000
N/A	DN2.5 - DN15 - Nickel alloy (a) Grounding ring for flange type	1	VN994058S120000
N/A	DN2.5 - DN15 - Tantalum Grounding ring for flange type	1	VN994058S140000
<b>Sanitary couplings for 9600A: DN 2.5 - 150 1/10 - 6"</b>			
5	DN2.5 - DN10 - DIN 11850 Sanitary coupling	1	XN22031000
6	DN25 - DIN 11850 Sanitary coupling	1	XN22031010
6	DN40 - DIN 11850 Sanitary coupling	1	XN22031020
6	DN50 - DIN 11850 Sanitary coupling	1	XN22031030
6	DN65 - DIN 11850 Sanitary coupling	1	XN22031040
6	DN80 - DIN 11850 Sanitary coupling	1	XN22031050
6	DN100 - DIN 11850 Sanitary coupling	1	XN22031060
6	DN125 - DIN 11850 Sanitary coupling	1	XN22031070
5	DN15 - DIN 11850 Sanitary coupling	1	XN22031090
7	DN2.5 - DN10 - DIN 11851 Sanitary coupling	1	XN22031100
8	DN40 - DIN 11851 Sanitary coupling	1	XN22031120
7	DN15 - DIN 11851 Sanitary coupling	1	XN22031190
15	DN50 - SMS 1145 Sanitary coupling	1	XN22031630
15	DN65 - SMS 1145 Sanitary coupling	1	XN22031640
16	DN25 - Tri CLAMP Sanitary coupling	1	XN22031710

a. Equivalent to Hastelloy® C.

# 8400A Parts List

## Model Code - 8400A

<u>Description</u>	<u>Model</u>
Schneider Electric™ Model 8400A Magnetic Flow Sensor	
<b><u>Nominal Diameter and Liner</u></b>	
DN10, 3/8" - PFA	843EA
DN 15...1/2" - PFA	84HAA
DN 25...1" - PFA	8401A
DN 40...1 1/2" - PFA	841HA
DN 50...2" - PFA	8402A
DN 80...3" - PFA	8403A
DN 100...4" - PFA	8404A
DN 150...6" - PFA	8406A
<b><u>Nominal Pressure [Centering for]</u></b>	
PN 16 EN 1092-1 (DN 100...150) max. working pressure 16 bar	3
PN 40 EN 1092-1 (DN 100) derated/max. working pressure 16 bar	5
150 lbs RF ASME B 16.5 (3/8"...6") max. working pressure 232 psi	A
300 lbs RF ASME B 16.5 (3/8"...4") derated/max. working pressure 232 psi	B
JIS 20 K (DN 10...100 3/8" ...4") derated/max. working pressure 16 bar	M
JIS 10 K (DN50 6") max. working pressure 10 bar	N
<b><u>Approval</u></b>	
Non Ex	0
FM Class I DIV 2 (for IMT33A Compact and Field only)	5
cCSAus OL (IMT33A compact and field & IMT31A Compact and Wall only)	A
CSA Class I DIV 2 (for IMT33A Compact and Field)	C
<b><u>System Design - Cable Connection</u></b>	
Compact (=Integral) with Aluminum Converter Housing - At the transmitter	1
Separate with Aluminum Connection box/1/2" NPT	4
Separate with Aluminum Connection box/PF 1/2	5
Separate with Aluminum Connection box/M20 x 1.5	6
Separate with Stainless Steel Connection box/1/2" NPT	A
Separate with Stainless Steel Connection box/PF 1/2	B
Separate with Stainless Steel Connection box/M20 x 1.5	C
<b><u>Converter Model</u></b>	
Without	0
IMT31A (Compact/Integral Design)	3
IMT31A (Wall Mount Version)	4
IMT33A (Compact/Integral Design)	C
IMT33A (Field Mount Version)	D
IMT30A (Compact/Integral Design)	K
IMT33A (Wall Mount Version)	L
<b><u>Mounting Material</u></b>	
Steel, galvanized/Rubber sleeves	1
Stainless Steel A2/Rubber sleeves	2
Rubber sleeves	3*
<b><u>Grounding Ring Material</u></b>	
St. Steel DIN 1.4404 316L (DN 10...15 3/8" ...1/2"), without (DN 25...150 1" ...6")	3*
St. Steel DIN 1.4404 316L (DN 25...150 1" ...6")	G
<b><u>Electrodes</u></b>	
Standard, Nickel alloy (a)	B
<b><u>Protection Class/Dimension (Face-to-Face)</u></b>	
IP 66 67 & Standard dimension	0

## Model Code - 8400A (Continued)

<u>Description</u>	<u>Model</u>
<b><u>Cable</u></b>	
Compact (none) - Separate (remote) DS	0*
Separate BTS	1
Without	Y
<b><u>Cable Length</u></b>	
Compact - None/Separate - 5 m - 15 ft	0
10 m - 30 ft	1
15 m - 45 ft	2
20 m - 60 ft	3
25 m - 75 ft	4
30 m - 90 ft	5
40 m - 120 ft	6
50 m - 150 ft	7
100 m - 300 ft	8
Without	Y
<b><u>Calibration</u></b>	
Standard calibration	0
Standard calibration + 316/1.4401 tag plate (120 x 46 mm)	2
Standard calibration + 316/1.4401 tag plate (67 x 25 mm)	3
<b><u>Special</u></b>	
Standard	0
<b><u>Version</u></b>	
Standard	H
<b><u>Construction Requirements</u></b>	
Standard	0
<b><u>QA/QC Requirements</u></b>	
Standard	0
<b><u>Ratio of CT-Calibration</u></b>	
Standard, R=80	0
<b><u>Warranty</u></b>	
Standard	0
<b><u>Instruction language</u></b>	
Standard	0

a. Equivalent to Hastelloy® C.

## Parts - 8400A

Not applicable. There are no parts available for the 8400A.

# 8500A Parts List

## Model Code - 8500A

<u>Description</u>	<u>Model</u>
Schneider Electric™ Model 8500A Magnetic Flow Sensor	
<b><u>Nominal Diameter and Liner</u></b>	
DN 2.5...1/10" - Ceramic - Mounts between DN15/1/2" flanges	850TA
DN 4...1/8" - Ceramic - Mounts between DN15/1/2" flanges	850SA
DN 6... 1/4" - Ceramic - Mounts between DN15/1/2" flanges	850QA
DN 10...3/8" - Ceramic - Mounts between DN15/1/2" flanges	853EA
DN 15...1/2" - Ceramic	85HAA
DN 25...1 - Ceramic	8501A
DN 40...1 1/2" - Ceramic	851HA
DN 50...2" - Ceramic	8502A
DN 80...3" - Ceramic	8503A
DN 100...4" - Ceramic	8504A
<b><u>Nominal Pressure (Centering for)</u></b>	
PN 16 EN 1092-1 (DN 100)	3
PN 25 EN 1092-1 (DN 100)	4
PN 40 EN 1092-1 (DN 100)	5
150 lbs RF ASME B 16.5 (1/10"...4")	A
300 lbs RF ASME B 16.5 (1/10"...4")	B
JIS 20 K (DN 2,5 ...100)	M
JIS 10 K (DN 50...100)	N
<b><u>Approval</u></b>	
Non Ex	0
Ex Zone 1 (for IMT33A Compact and Field & IMT31A Wall only)	1
Ex Zone 2 (for IMT33A Compact and Field only)	3
FM Class I DIV 2 (for IMT33A Compact and Field only)	5
cCSAus OL (IMT33A compact and field & IMT31A Compact and Wall only)	A
CSA Class I DIV 2 (for IMT33A Compact and Field)	C
<b><u>System Design - Cable Connection</u></b>	
Compact (=Integral) with Aluminum Converter Housing - At the transmitter	1
Compact (=Integral) with Stainless Steel Converter Housing - At the transmitter	2
Separate with Aluminum Connection box/1/2" NPT	4
Separate with Aluminum Connection box/PF 1/2	5
Separate with Aluminum Connection box/M20 x 1.5	6
Separate with Stainless Steel Connection box/1/2" NPT	A
Separate with Stainless Steel Connection box/PF 1/2	B
Separate with Stainless Steel Connection box/M20 x 1.5	C
<b><u>Converter Model</u></b>	
Without	0
IMT31A (Compact/Integral Design)	3
IMT31A (Wall Mount Version)	4
IMT33A (Compact/Integral Design)	C
IMT33A (Field Mount Version)	D
IMT30A (Compact/Integral Design)	K
IMT30A (Wall Mount Version)	L
<b><u>Mounting Material</u></b>	
Steel, galvanized/Rubber sleeves	1
Stainless Steel A2/Rubber sleeves	2
Rubber sleeves	3
<b><u>Grounding Ring Material - Sealing</u></b>	
St. Steel DIN 1.4404 316 - O-ring FPMIFKM (DN 2,5...15 1/10"...1/2")	3*
St. Steel DIN 1.4404 316 - O-ring EPDM (DN 2,5...15 1/10"...1/2")	T
Titanium - O-ring EPDM (DN 2,5...15 - 1/10"...1/2")	6
Nickel alloy (a) O-ring EPDM (DN 2,5...15 - 1/10"...1/2")	7
Nickel alloy (a) - O-ring FPMIFKM (DN 2,5...15 - 1/10"...1/2")	8
Titanium - O-ring PFPMIFFKM (DN 2,5...15 - 1/10"...1/2")	B
Tantalum - Seal PTFE/PF 29 (DN 2,5...15 - 1/10"...1/2")	C
Nickel alloy (a) - O-ring PFPMIFFKM (DN 2,5...15 - 1/10"...1/2")	D
Without - Gasket graphite (DN 25...100/1"...4")	E
Without - Gasket filled PTFE (DN 25...100/1"...4")	F*



**Model Code - 8500A (Continued)**

<u>Description</u>	<u>Model</u>
Nickel alloy (a) - Gasket filled PTFE (DN 25...100/1"...4")	H
St. Steel DIN 1.4571 316 Ti - Gasket filled PTFE (DN 25...100/1"...4")	G
St. Steel DIN 1.4571 316 Ti - Gasket graphite (DN 25...100/1"...4")	R
Tantalum - Seal PTFE/PF 29 (DN 25...100/1"...4")	P
Nickel alloy (a) - Gasket graphite (DN 25...100/1"...4")	S
<b><u>Electrodes</u></b>	
Standard, Platinum	0*
Cermet - Platinum	7
<b><u>Protection Class/Dimension (Face-to-Face)</u></b>	
IP 66 67 & Standard	0*
IP 68 Field & Standard (with stainless steel connection box)	1
IP 68 Factory & Standard (with stainless steel connection box)	2
<b><u>Cable</u></b>	
Compact (none) - Separate (remote) DS	0*
Separate BTS	1
Separate LIYCY (only for FM/CSA Class 1 DIV 2 with IP68 and IMT33A)	2
Without	Y
<b><u>Cable Length</u></b>	
Compact - None/Separate - 5 m - 15 ft	0
10 m - 30 ft	1
15 m - 45 ft	2
20 m - 60 ft	3
25 m - 75 ft	4
30 m - 90 ft	5
40 m - 120 ft	6
50 m - 150 ft	7
100 m - 300 ft	8
Without	Y
<b><u>Calibration</u></b>	
Standard	0
316/1.4401 tag plate (120 x 46mm)	2
316/1.4401 tag plate (67 x 25mm)	3
<b><u>Special</u></b>	
Standard	0
<b><u>Version</u></b>	
Standard	H
<b><u>Construction Requirements</u></b>	
Standard	0
<b><u>QA/QC Requirements</u></b>	
Standard	0
<b><u>Ratio of CT - Calibration</u></b>	
Standard, R=80	0
<b><u>Warranty</u></b>	
Standard	0
<b><u>Instruction Language</u></b>	
Standard	0

a. Equivalent to Hastelloy® C22.

**Parts - 8500A**

Not applicable. There are no parts available for the 8500A.

# 9700A Parts List

## Model Code - 9700A

<u>Description</u>	<u>Model</u>
Schneider Electric™ Model 9700A Magnetic Flow Sensor	
<b>Nominal Diameter and Liner</b>	
DN10,3/8" PTFE Flanges 1/2"	973EA
DN15,1/2" PTFE	97HAA
DN20,3/4" PTFE	973QA
DN25,1" PFA	9701A
DN32,1 1/4" PFA	971QA
DN40,1 1/2" PFA	971HA
DN50,2" PFA	9702A
DN65,2 1/2" PFA	972HA
DN80,3" PFA	9703A
DN100,4" PFA	9704A
DN125,5" PFA	9705A
DN150,6" PFA	9706A
DN200,8" PFA	9708A
DN250,10" ETFE	9710A
DN300,12" ETFE	9712A
DN350,14" ETFE	9714A
DN400,16" ETFE	9716A
DN450,18" ETFE	9718A
DN500,20" ETFE	9720A
DN600,24" ETFE	9724A
DN700,28" ETFE	9728A
DN800,32" ETFE	9732A
DN900,36" ETFE	9736A
DN1000,40" ETFE	9740A
DN1200,48" ETFE	9748A
DN1400,56" ETFE	9756A
DN1600,64" ETFE	9764A
DN1800,72" ETFE	9772A
DN2000,80" ETFE	9780A
<b>Nominal Pressure</b>	
PN 6 EN 1092-1 (DN1200...2000)	-1
PN 10 EN 1092-1 (DN200...1000)	-2
PN 16 EN 1092-1 (DN65, DN100...1000)	-3
PN 25 EN 1092-1 (DN200 ...600 )	-4
PN 40 EN 1092-1 (DN10...600)	-5
150 lbs RF ASME B 16.5 (1" ...24")	-A
300 lbs RF ASME B 16.5 (1" ...24")	-B
JIS 20 K (DN25...40 1" ...1 1/2") & (DN200 ... 600 8" ...24")	-M
JIS 10 K (DN50...1400 2" ...56")	-N
<b>Approval (a)</b>	
Non Ex	0
Ex Zone 1	1
Ex Zone 2 (for IMT33A compact and field only). Only with converter model C, D	3
FM Class I DIV 2 (for IMT33A compact and field, IMT31A compact and wall only)	5
cCSAus OL (for IMT33A compact and field, IMT31A compact and wall only). Only with converter model 3, 4, C, D	A
CSA Class I DIV 2 (for IMT33 Compact and Field, cFMus IMT31 compact and wall only)	C
Only With Converter Model 3,4,C,D	
NEPSI Zone 1 (for IMT33A compact and field only). Only with converter model C, D	D
IECEX Zone 1 (for IMT33A compact and field, DN700...1200 28" ...48")	F
<b>Check BuyAutomation for availability of the following items:</b>	
BE-Ex EAC (Belarus; for IMT33A compact and field, IMT31A compact and wall only)	T
RU-Ex EAC (Russia; for IMT33A compact and field, IMT31A compact and wall only)	U
KA-Ex EAC (Kazakhstan; for IMT33A compact and field, IMT31A compact and wall only)	V
RU-EAC (Russia)	W
KA-EAC (Kazakhstan)	X
BE-EAC (Belarus)	Y

MODEL CODE - 9700A

## Model Code - 9700A (Continued)

<u>Description</u>	<u>Model</u>
<b><u>System Design</u></b>	
Compact/Integral design with aluminum converter housing - At the transmitter	1
Compact/Integral design with stainless steel converter housing - At the transmitter	2
Separate with Aluminum Connection box/1/2" NPT	4
Separate with Aluminum Connection box/PF 1/2	5
Separate with Aluminum Connection box/M20 x 1.5 A	6
Separate with Stainless Steel Connection box/1/2" NPT	A
Separate with Stainless Steel Connection box/PF 1/2	B
Separate with Stainless Steel Connection box/M20 x 1.5	C
<b><u>Converter Model</u></b>	
Without - With system Design: 4, 5, 6, A, B, C	0
IMT31A (Compact/Integral Design)	3
IMT31A (Wall Mount Version)	4
IMT33A (Compact/Integral Design)	C
IMT33A (Field Mount Version)	D
IMT33A (Wall Mount Version)	E
IMT30A (Compact/Integral Design)	K
IMT30A (Wall Mount Version)	L
<b><u>Lining</u></b>	
Standard	0
PTFE	1
PTFE - provided for protection rings (multiple sizes and rings)	2
Soft Rubber - 6 mm thickness (DN50-DN600   2"-24") (Non Ex only) (Only with IMT33A)	A
PU - Polyurethane	D
Soft Rubber - 4 mm Thickness (DN50-DN600   2"-24") (Non Ex only) (Only with IMT33A)	P
PFA - provided for protection rings (multiple sizes and rings)	S
<b><u>Electrodes</u></b>	
Stainless Steel DIN 1.4571 316 Ti	1
Stainless Steel DIN 1.4401 316	2
Nickel alloy (b)	3
Nickel alloy (c)	4
Tantalum	5
Titanium	6
Platinum	7
Nickel alloy (d)	B
Conductive Rubber (Only with Soft Rubber Liners)	H
Low Noise (Tungsten Carbide Coating) - Base HC22	K
Low Noise (aluminum oxide) - Base HC22	N
Low Noise (aluminum oxide) - Base Din 1.4571 316 Ti	U
Low Noise (Tungsten Carbide Coating) - Base Stainless Steel	V
<b><u>Construction of Electrodes</u></b>	
Fixed	1
<b><u>Housing/Flange Material</u></b>	
Steel/Steel St 37-Nickel alloy (b)/A105	1
Steel/Stainless Steel DIN 1.4404 316 L	3
Steel Stainless Steel DIN 1.4571 316Ti	4
1.4301 304/Steel St 37-Nickel alloy (b) A 105 (with stainless steel connection box)	A
1.4301 304/Stainless Steel DIN 1.4404 316L (with stainless steel connection box)	C
1.4301 304/Stainless Steel DIN 1.4571 316 Ti (with stainless steel connection box)	D
Housing: Duplex - Flanges: Steel St 37-C22/A105/A 105 (With St.St. Conn. Box.) (DN 10-20   3/8"-3/4")	U
Housing: Duplex - Flanges: Steel St 1.4306/304/A 105 (With St.St. Conn. Box.) (DN 10-20   3/8"-3/4")	V
Housing: Duplex - Flanges: Steel St 1.4404/316L/A 105 (With St.St. Conn. Box.) (DN 10-20   3/8"-3/4")	W
<b><u>Protection Class/Dimension (Face-to-Face)</u></b>	
IP 66/67/Standard	0
IP 68 Field/Standard (with stainless steel connection box)	1
IP 68 Factory/Standard (with stainless steel connection box)	2
IP 66/67/ISO 13359	3
IP 68 Field/ISO 13359 (with stainless steel connection box)	4
IP 68 Factory/ISO 13359 (with stainless steel connection box)	5

Model Code - 9700A (Continued)

Description	Model
<b>Cable</b>	
Compact - Without/Separate DS	0
Separate BTS	1
Separate LIYCY (only for FM/CSA Class 1 DIV 2)	2
Without	Y
<b>Cable Length</b>	
Compact - None/Separate - 5 m - 15 ft	0
10 m - 30 ft	1
15 m - 45 ft	2
20 m - 60 ft	3
25 m - 75 ft	4
30 m - 90 ft	5
40 m - 120 ft	6
50 m - 150 ft	7
100 m - 300 ft	8
Without	Y
<b>Calibration</b>	
Standard	0
316/1.4401 tag plate (120 x 46 mm)	2
316/1.4401 tag plate (67 x 25 mm)	3
Extended Calibration (Only with IMT30A or IMT31A)	R
<b>Grounding Ring/Materials</b>	
Without	0
Ring #1 - Tantalum	4
Ring #1 - Titanium	5
Ring #1 - 1.4404 316 L	6
Ring #1 - Nickel alloy (d)	7
Ring #3 - 1.4404 316 L	E
Protection ring #2 Titanium	N
Protection ring #2 1.4404 316 L	P
Protection ring #2 Nickel alloy (d)	R
<b>Finish</b>	
Standard	0
<b>Version</b>	
Standard	H
<b>Construction Requirements</b>	
Standard	0
<b>QA/QC Requirements</b>	
Standard	0
<b>Special</b>	
Standard	0
<b>Ratio of CT-Calibration</b>	
Standard, R=80	0
<b>Instruction Language</b>	
Standard	0
<b>Warranty</b>	
Standard	0

- a. To maintain certification, make sure the transmitter being used is listed in the description.
- b. Equivalent to Hastelloy® C4.
- c. Equivalent to Hastelloy® B.
- d. Equivalent to Hastelloy® C22.

Parts - 9700A

Not applicable. There are no parts available for the 6500W.

## 6500W Parts List

## Model Code - 6500W

<u>Description</u>	<u>Model</u>
Schneider Electric™ Model 6500W Magnetic Flow Tube	
<b><u>Nominal Diameter</u></b>	
DN 25...1"	6501W
DN 40...1½"	651HW
DN 50...2"	6502W
DN 65...2½"	652HW
DN 80...3"	6503W
DN 100...4"	6504W
DN 125...5"	6505W
DN 150...6"	6506W
DN 200...8"	6508W
DN 250...10"	6510W
DN 300...12"	6512W
DN 350...14"	6514W
DN 400...16"	6516W
DN 450...18"	6518W
DN 500...20"	6520W
DN 600...24"	6524W
<b><u>Nominal Pressure</u></b>	
Gas threaded connection (only 1" and 1.5")	-0
PN 10 EN 1092-1 (only 8" – 24": PN 10 EN 1092-1 (only 8" – 24": Max. pressure 10 bar)	-2
PN 16 EN 1092-1	-3
150 lb RF ASME B 16.5	-A
10K Conn. Acc. JIS B2220	-N
<b><u>System Design/Cable Connection</u></b>	
Compact with transmitter housing/at transmitter	1
Separate with stainless steel connection box/IP68	C
<b><u>Transmitter Model</u></b>	
Without/modular	0
IMT65W (C) - IP68	7
IMT65W (F) - IP68	8
<b><u>Lining</u></b>	
Standard (Rilsan)	0
<b><u>Electrodes</u></b>	
Nickel alloy (a)	B
Stainless Steel DIN 1.4301/304	C
<b><u>Construction of Electrodes</u></b>	
Fixed	1
Pressure/Temperature Sensor (DN50 to DN200, 2"-8" with SS electrodes)	C
<b><u>Housing Material</u></b>	
Steel	1
<b><u>Protection Class/Dimension (Face-to-Face)</u></b>	
IP 68 Factory/standard (with stainless steel connection box) (field) or	2
IP 68 Factory/standard (compact)	
<b><u>Cable</u></b>	
Compact - without/separate with WSC 2(V3 only)	0

Model Code - 6500W (Continued)

Description	Model
<b>Cable Length</b>	
Compact - none/separate - 5 m - 15 ft	0
10 m - 30 ft	1
25 m - 75 ft	4
<b>Calibration</b>	
Standard	0
Custody Transfer	A
<b>Ring Material</b>	
Without	0
<b>Finish</b>	
Standard	0
Offshore (IP 68 only)	3
Burial coating (IP 68 only)	5
<b>Reserved/Default</b>	
Reserved Field	0
<b>Construction Requirements</b>	
Standard	0
<b>QA/QC Requirements</b>	
Standard	0
<b>Tag Plate</b>	
Standard	0
316/1.4401 tagplate (120 x 46 mm)	2
317/1.4401 tagplate (67 x 25 mm)	3
<b>Ratio of CT-Calibration</b>	
Standard, R=80	0
<b>Instruction Language</b>	
German	1
English	3
French	4
<b>Warranty</b>	
Standard	0
<b>Destination</b>	
Standard	0
Belarus	B
Kazakhstan	K
Russia	R
<b>Flange Material</b>	
Standard (1" to 1.5")	0
Steel St37-C22/A105 (Standard for 10" to 24" (DN 250-600))	1
DIN 1.4301/304L (Standard for sizes 6" (DN150) to 8", Optional for 10" to 24")	2
DIN 1.4404/316L (sizes 1" to 5"(DN 25-125))	3

a. Equivalent to Hastelloy® C22.

Parts - 6500W

Not applicable. There are no parts available for the 6500W.

MODEL CODE - IMT65W

## IMT65W Parts List

Model Code - IMT65W

<u>Description</u>	<u>Model</u>
Schneider Electric™ Model IMT65W Magnetic Flow Transmitter	
<b><u>Type</u></b>	
IMT65W (C/MP): Compact	-2
IMT65W (C): Compact	-8
IMT65W (F): Field	-U
IMT65W (F/MP): Field	-V
<b><u>Power Supply</u></b>	
Prepared for Multi-Power + battery back-up	A
2 Tadiran cells	
Prepared for Multi-Power + battery back-up	C
2 Saft cells	
Internal/dual battery pack Tadiran cells	H
Internal/prepared for dual battery pack	M
Internal/dual battery pack saft cells	P
<b><u>Ex Version</u></b>	
non Ex	0
<b><u>Cable Connection</u></b>	
IP 68 connector with 5 m - 15 ft output cable	F
IP 68 connector with 10 m - 30 ft output cable	G
IP 68 connector with 25 m - 75 ft output cable	L
<b><u>Operating Manual</u></b>	
Without/German	5
Without/English	6
Without/French	7
<b><u>Custody Transfer</u></b>	
Standard (empty pipe detection standard)	0
Water, OIML R-49 Class 2	1
Water, MI-001	5
<b><u>Process Diagnostics</u></b>	
Standard	0
P/T sensor	A
<b><u>Signal Transmitter Housing</u></b>	
Standard polycarbonate	1
<b><u>Communication</u></b>	
Basic IO (2 passive pulse +	
2 passive status output - not activated)	1
I/O RS485 Modbus (Battery power - CT: not legally relevant)	G
I/O RS485 Modbus (Multi-Power - CT: not legally relevant)	H
External Instruments	K
<b><u>Electronic Option</u></b>	
Standard	H
<b><u>Tag Plate (Field only)</u></b>	
Standard	0
316/1.4401 tag plate (120 x 46 mm)	2
316/1.4401 tag plate (67 x 25 mm)	3
<b><u>Instruction Language</u></b>	
German	1
English	3
French	4
<b><u>Power Supply Wiring</u></b>	
Standard, battery	0
Multi-Power, 100-230 VAC	A

Model Code - IMT65W (Continued)

Description	Model
<u>Destination</u>	
Standard	0
Belarus	B
Kazakhstan	K
Russia	R

Parts - IMT65W

Figure 7. IMT65W

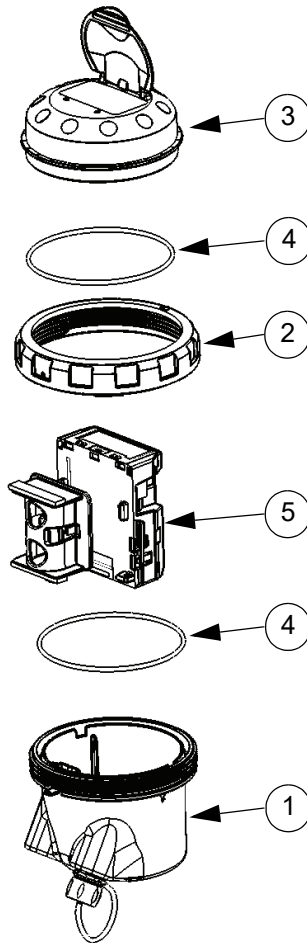




Table 7. Parts for Figure 7, "IMT65W"

Item Number	Description	Qty	Part Number
<b>Housing Parts</b>			
1 2 3 4	Housing Kit: Includes housing, union nut/ring, display cover and two gaskets	1	XN1204021H
Not shown	Opening Wrench	1	XN12041200
<b>Complete Electronic Unit</b>			
5	Complete Electronic Unit (Basic I/O)	1	XNCA010200
	Complete Electronic Unit (Modbus - Battery)	1	XNCA010210
	Complete Electronic Unit (Modbus - Multi-Power)	1	XNCA010300
<b>Power</b>			
Not shown	Battery pack double (2x lithium D-cell, 34 Ah)	1	XNCA030200
	Battery pack double (2x lithium D-cell, 34 Ah) (origin France)	1	XNCA030220
	Multi-Power	1	XNCA030400
	Multi-Power (origin France)	1	XNCA030420
	Battery pack single (1x lithium D-cell, 19 Ah)	1	XN12030100
	Battery pack double (2x lithium D-cell, 19 Ah)	1	XN12030200
	Battery pack double (2x lithium D-cell, 19 Ah) (origin France)	1	XN12030220
<b>Cable for IP 68 Housing for IMT65W (Battery)</b>			
Not shown	IP68 connector with 5 m/15 ft output cables (Basic IO, 8-Pins)	1	XNCA100110
	IP68 connector with 10 m/30 ft output cables (Basic IO, 8-Pins)	1	XNCA100120
	IP68 connector with 25 m/75 ft output cables (Basic IO, 8-Pins)	1	XNCA100130
	IP68 connector with 5 m/15 ft output cables (Modbus IO, 4-Pins)	1	XNCA100210
	IP68 connector with 10 m/30 ft output cables (Modbus IO, 4-Pins)	1	XNCA100220
	IP68 connector with 25 m/75 ft output cables (Modbus IO, 4-Pins)	1	XNCA100230
<b>Cable for IP 68 Housing for IMT65W (Multi-Power)</b>			
Not shown	IP68 connector with 5 m/15 ft output cables (Basic IO, 8-Pins)	1	XNCA100310
	IP68 connector with 10 m/30 ft output cables (Basic IO, 8-Pins)	1	XNCA100320
	IP68 connector with 25 m/75 ft output cables (Basic IO, 8-Pins)	1	XNCA100330
	IP68 connector with 5 m/15 ft output cables (Modbus IO, 4-Pins)	1	XNCA100410
	IP68 connector with 10 m/30 ft output cables (Modbus IO, 4-Pins)	1	XNCA100420
	IP68 connector with 25 m/75 ft output cables (Modbus IO, 4-Pins)	1	XNCA100430
<b>EMF Cable for IMT65W</b>			
Not shown	EMF Cable	1	XN0010130

Schneider Electric Systems USA, Inc.  
38 Neponset Avenue  
Foxboro, MA 02035  
United States of America  
<http://www.schneider-electric.com>

Global Customer Support  
Inside U.S.: 1-866-746-6477  
Outside U.S.: 1-508-549-2424  
<https://pasupport.schneider-electric.com>

Copyright 2016-2019 Schneider Electric Systems USA, Inc. All rights reserved.

The Schneider Electric brand and any trademarks of Schneider Electric SE or its subsidiaries are the property of Schneider Electric SE or its subsidiaries. All other trademarks are the property of their respective owners.

