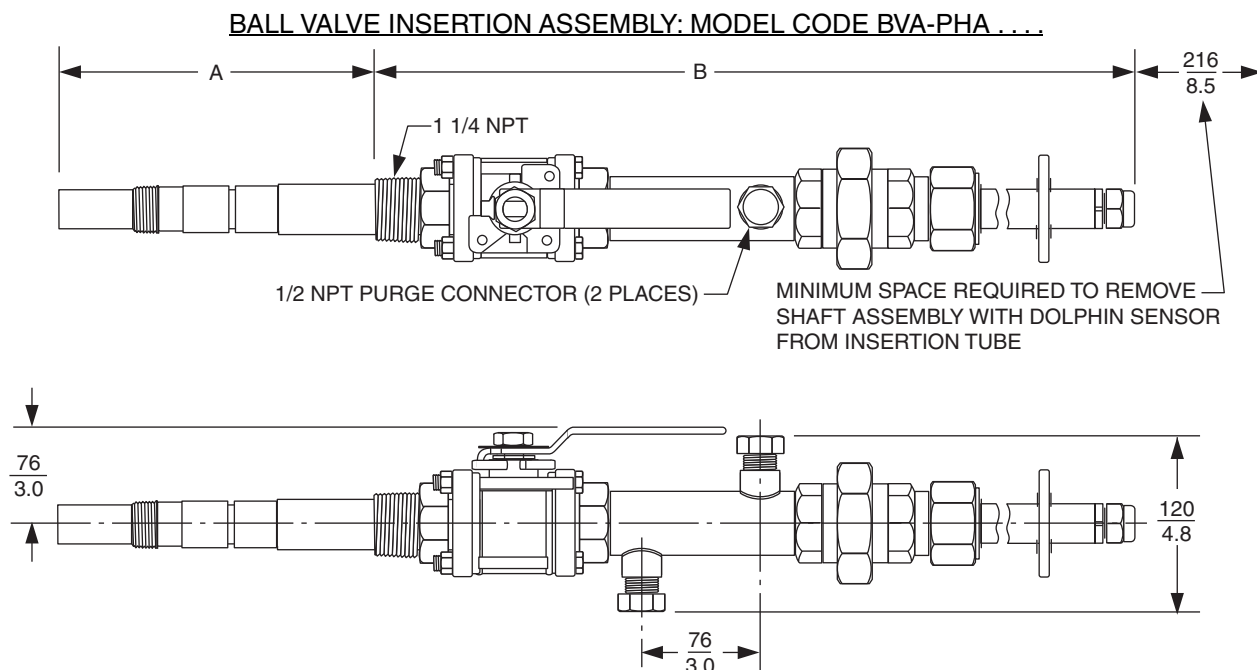


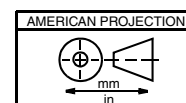
## BVA Series Ball Valve Insertion Assemblies for DolpHin® Series pH and ORP Sensors



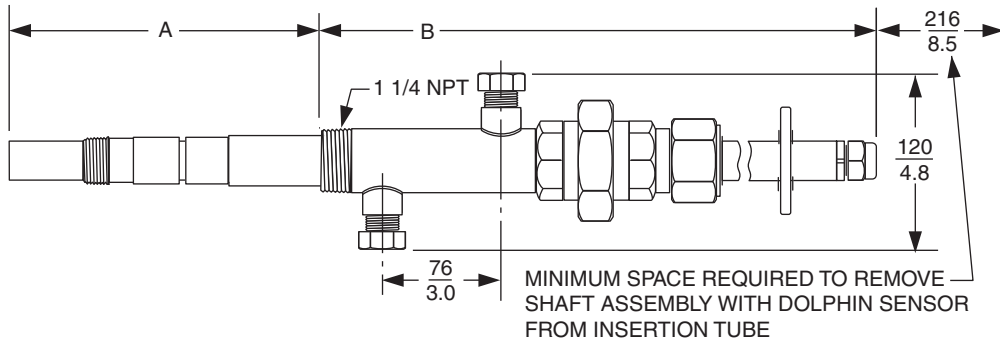
Model Code (a)	Insertion Depth "A"	Overall Length "B" (b)	Material
BVA-PHA1.08	0 to 20.3 cm (0 to 8 inches)	74.9 cm (29.5 inches)	316 ss
BVA-PHA1.16	0 to 40.6 cm (0 to 16 inches)	95.3 cm (37.5 inches)	316 ss
BVA-PHA1.24	0 to 61.0 cm (0 to 24 inches)	115.6 cm (45.5 inches)	316 ss
BVA-PHA1.32	0 to 81.3 cm (0 to 32 inches)	135.9 cm (53.5 inches)	316 ss
BVA-PHA1.XX	0 to XX per sales order (c)	Add approx. 54.6 cm (21.5 inches) to XX	316 ss
BVA-PHA2.08	0 to 20.3 cm (0 to 8 inches)	77.5 cm (30.5 inches)	Titanium
BVA-PHA2.16	0 to 40.6 cm (0 to 16 inches)	97.8 cm (38.5 inches)	Titanium
BVA-PHA2.24	0 to 61.0 cm (0 to 24 inches)	118.1 cm (46.5 inches)	Titanium
BVA-PHA2.32	0 to 81.3 cm (0 to 32 inches)	138.4 cm (54.5 inches)	Titanium
BVA-PHA2.XX	0 to XX per sales order (c)	Add approx. 57.2 cm (22.5 inches) to XX	Titanium

- Addition of an optional flange does not affect the insertion depth and overall length.
- Overall length "B" dimension is at full retracted position (not shown).
- Custom insertion depth "XX" available in 20.3 cm (8-inch) increments. Contact Global Customer Support for details.

For dimensional information specific to your sales order, contact your sales representative to order a Certified Dimensional Print (CDP).



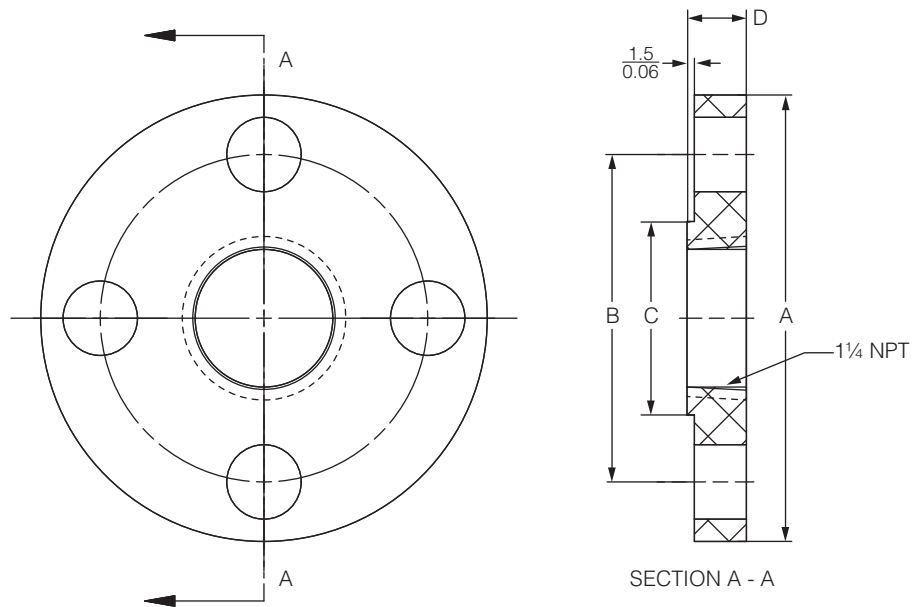
**INSERTION TUBE ASSEMBLY ONLY: MODEL CODE BVA-PHA...-A**



Model Code (a)	Insertion Depth "A"	Overall Length "B" (b)	Material
BVA-PHA1.08-A	0 to 35.6 cm (0 to 14 inches)	67.3 cm (26.5 inches)	316 ss
BVA-PHA1.16-A	0 to 55.9 cm (0 to 22 inches)	87.6 cm (34.5 inches)	316 ss
BVA-PHA1.24-A	0 to 76.2 cm (0 to 30 inches)	108.0 cm (42.5 inches)	316 ss
BVA-PHA1.32-A	0 to 96.5 cm (0 to 38 inches)	128.3 cm (0 to 50.5 inches)	316 ss
BVA-PHA1.XX-A	Add approx. 15.2 cm (6 inches) to XX (c)	Add approx. 47.0 cm (18.5 inches) to XX	316 ss
BVA-PHA2.08-A	0 to 38.1 cm (0 to 15 inches)	69.9 cm (27.5 inches)	Titanium
BVA-PHA2.16-A	0 to 58.4 cm (0 to 23 inches)	90.2 cm (35.5 inches)	Titanium
BVA-PHA2.24-A	0 to 78.8 cm (0 to 31 inches)	110.5 cm (43.5 inches)	Titanium
BVA-PHA2.32-A	0 to 99.1 cm (0 to 39 inches)	130.8 cm (51.5 inches)	Titanium
BVA-PHA2.XX-A	Add approx. 17.8 cm (7 inches) to XX (c)	Add approx. 49.5 cm (19.5 inches) to XX	Titanium

- a. Addition of an optional flange does not affect the insertion depth and overall length.
- b. Overall length "B" dimension is at full retracted position (not shown).
- c. Custom insertion depth "XX" available in 20.3 cm (8-inch) increments. Contact Global Customer Support for details.

**ANSI 150# FLANGE: OPTIONS -C, -D, -F, -H**



Option (a)	Description (b)	Dim. "A" (External Diameter)	Dim. "B" (Bolting Diameter)	Dim. "C" (Raised Face Diameter)	Dim. "D" (Thickness)	Bolt Holes
-C	1.5" ANSI 150# Flange	127 mm (5.0")	99 mm (3.9")	73 mm (2.9")	18 mm (0.7")	4 x 16 mm (0.6")
-D	2" ANSI 150# Flange	152 mm (6.0")	121 mm (4.8")	92 mm (3.6")	19 mm (0.8")	4 x 19 mm (0.8")
-F	3" ANSI 150# Flange	191 mm (7.5")	152 mm (6.0")	127 mm (5.0")	24 mm (0.9")	4 x 19 mm (0.8")
-H	4" ANSI 150# Flange	229 mm (9.0")	191 mm (7.5")	157 mm (6.2")	24 mm (0.9")	8 x 19 mm (0.8")

- a. Addition of an optional flange does not affect the insertion depth and overall length.
- b. Flange is 316 stainless steel for Process Wetted Material option 1, or titanium for Process Wetted Material option 2. Dimensions are the same for both metals.

---

**NOTES:**

Insertion depth and overall length are approximate. Actual dimensions depend on the extent of thread engagement in NPT connections.

For legacy insertion tube and ball valve assemblies for DolpHin series pH and ORP sensors, refer to DP 611-172.

---